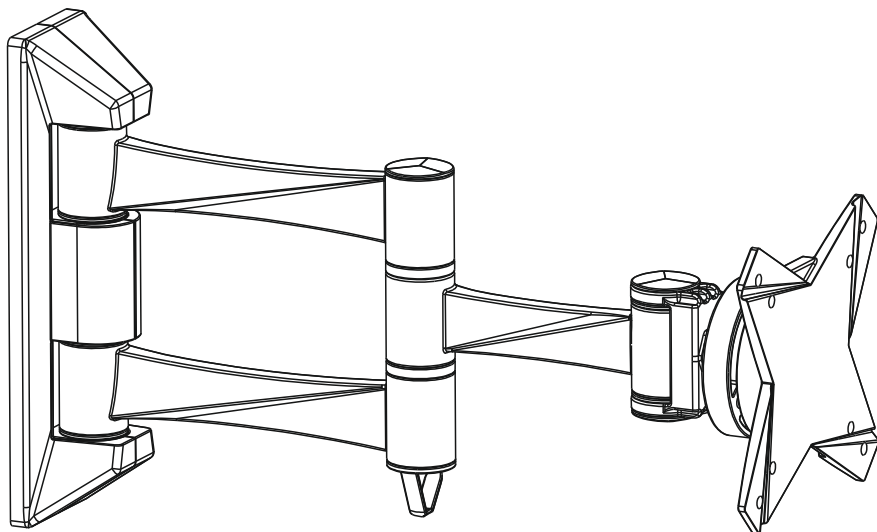


Full Motion TV Wall Mount



CAUTION: DO NOT EXCEED
RATED LISTED WEIGHT. SERIOUS
INJURY OR PROPERTY DAMAGE
MAY OCCUR!

ECO-113B
ECO-113W



75x75
100x100



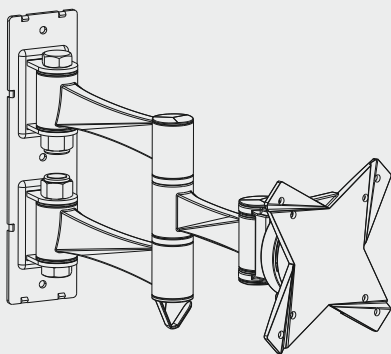
NOTE: Read the entire instruction manual before you start installation and assembly.

WARNING

- Do not begin the installation until you have read and understood all the instructions and warnings contained in this installation sheet. If you have any questions regarding any of the instructions or warnings, please contact your local distributor.
- This mounting bracket was designed to be installed and utilised ONLY as specified in this manual. Improper installation of this product may cause damage or serious injury.
- This product should only be installed by someone with good mechanical ability who has basic building experience and fully understands this manual.
- Make sure that the supporting surface will safely support the combined weight of the equipment and all attached hardware and components.
- If mounting to wood wall studs, make sure that mounting screws are anchored into the center of the studs. The use of a stud finder is highly recommended.
- Always use an assistant or mechanical lifting equipment to safely lift and position the equipment.
- Tighten screws firmly, but do not over tighten. Over tightening can cause damage to the items, This greatly reduces their holding power.
- This product is intended for indoor use only. Using this product outdoors could lead to product failure and personal injury.

Component Checklist

IMPORTANT: Ensure that you have received all parts according to the component checklist prior to installation. If any parts are missing or faulty, telephone your local distributor for a replacement.



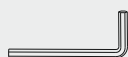
articulated arm assembly(x1)
A



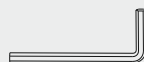
wall plate cover 1(x1)
B



wall plate cover 2(x1)
C



3mm Allen key (x1)
D

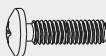


4mm Allen key (x1)
E

Package M



M4x14 (x4)
M-A



M5x14 (x4)
M-B



D5 washer (x4)
M-C

Package W



ST5.5x50 (x3)
W-A

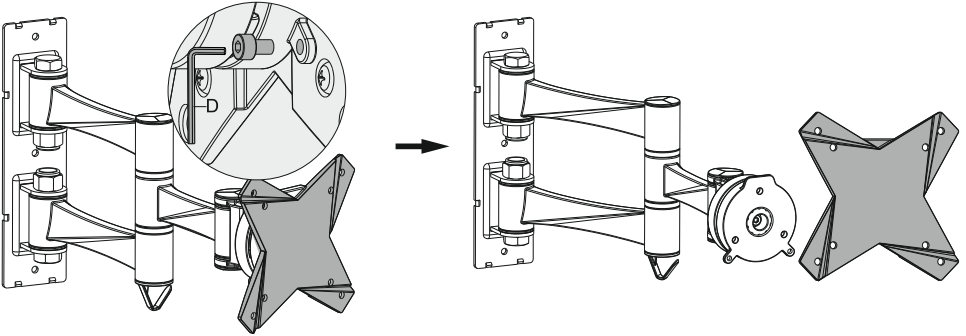


concrete anchor (x3)
W-B

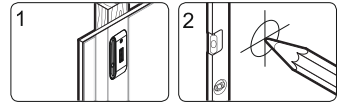
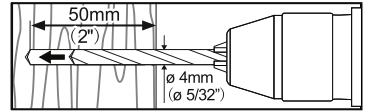
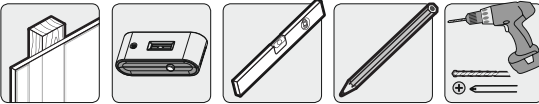


D6 washer (x3)
W-C

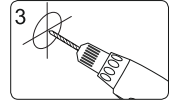
1. Removing the VESA Plate



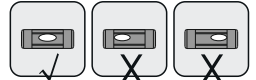
2a. For Wood Stud Wall Mounting



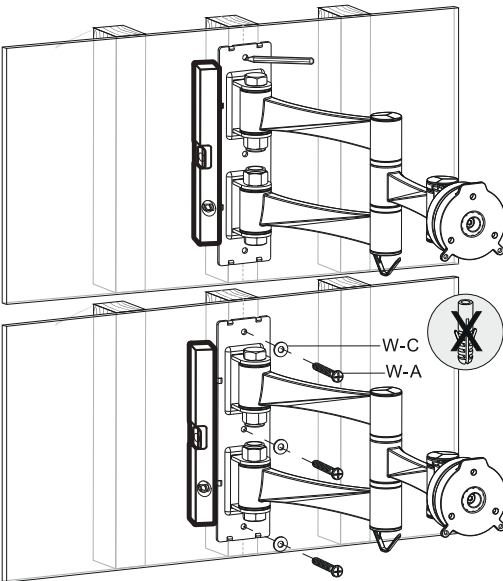
Find and mark the exact location of mounting holes.



Drill pilot holes



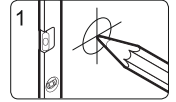
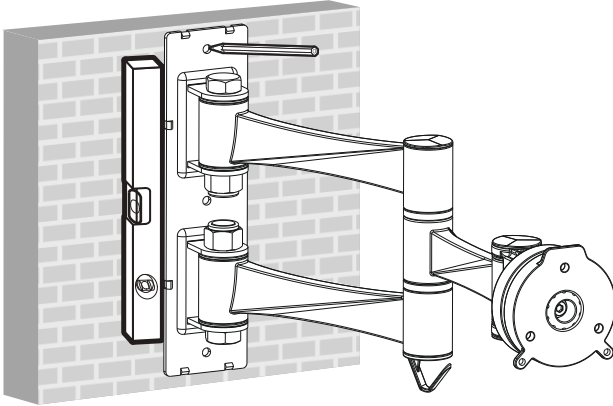
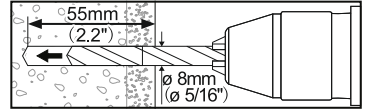
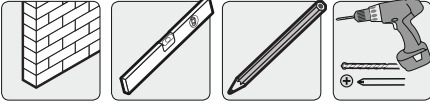
Screw the wall mount onto the wall



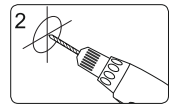
⚠ WARNING

- Make sure that mounting screws are anchored into the center of the studs. The use of a stud finder is highly recommended.
- Installers are responsible to provide hardware for other types of mounting situations.
- Installers must verify that the supporting surface will safely support the combined weight of the equipment and all attached hardware and components.

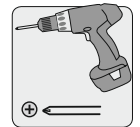
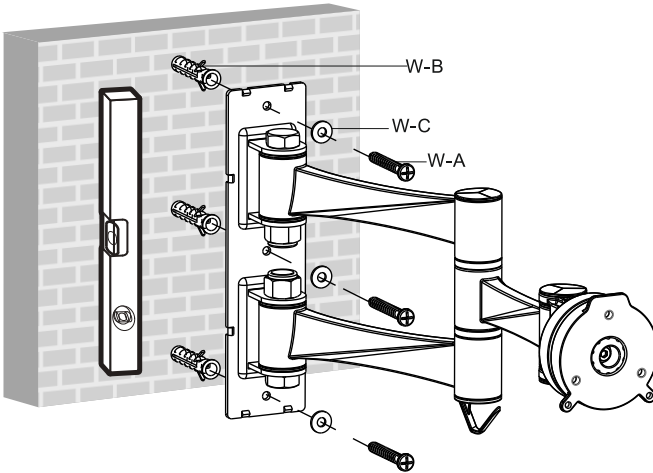
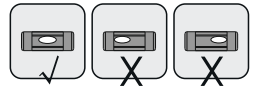
2b. For Solid Brick and Concrete Mounting



Mark the exact location of mounting holes



Drill pilot holes

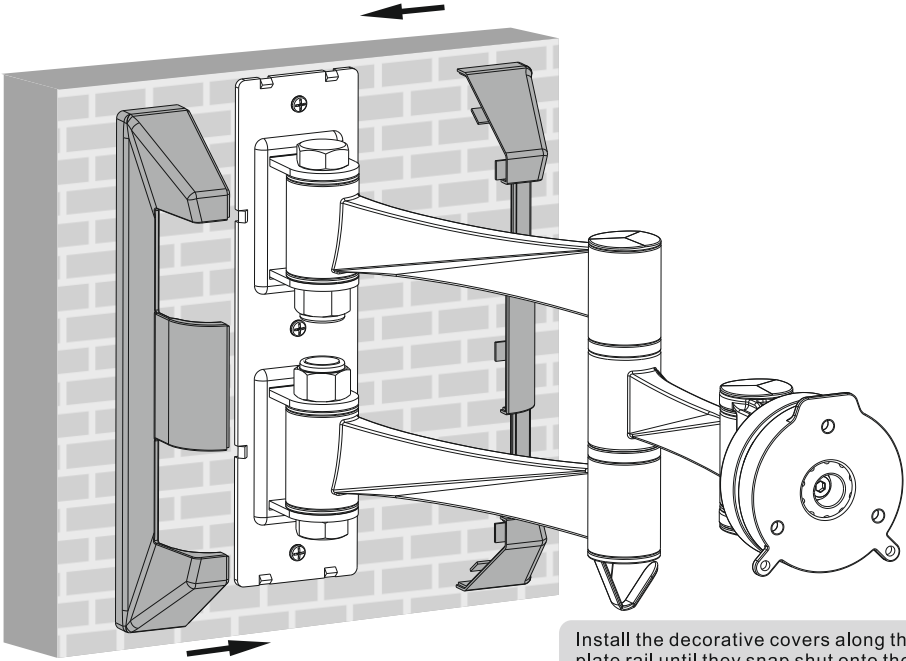


Screw the wall mount onto the wall

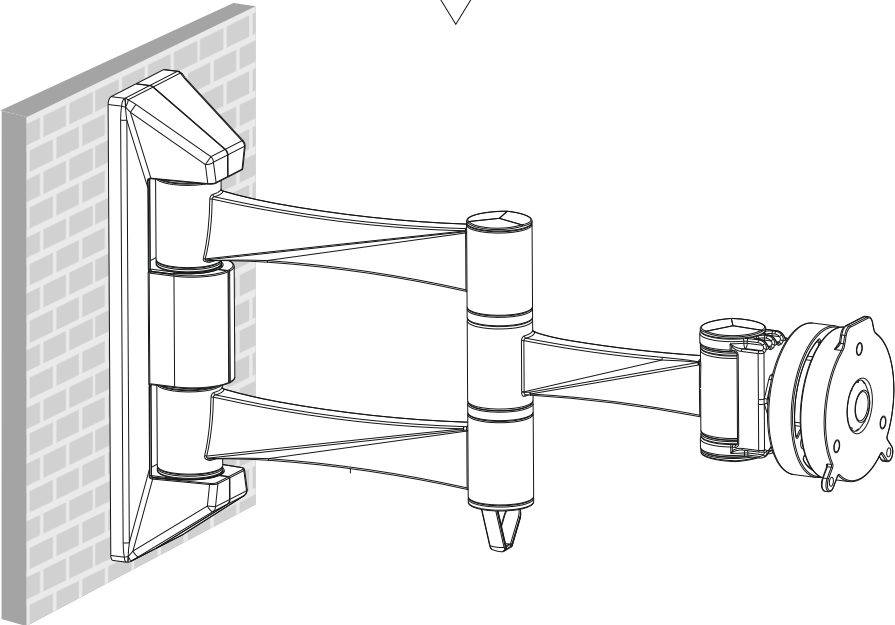
WARNING

Installers must verify that the supporting surface will safely support the combined weight of the equipment and all attached hardware and components.

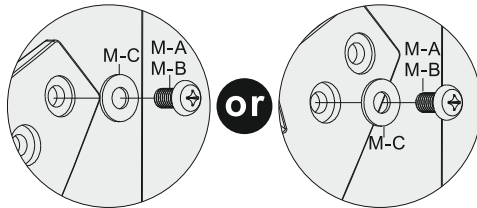
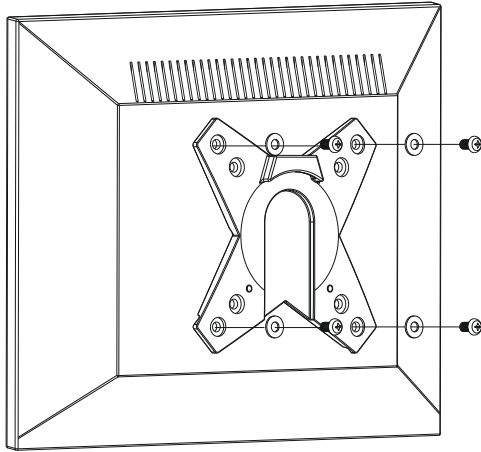
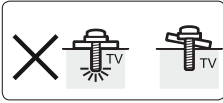
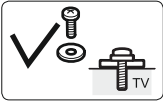
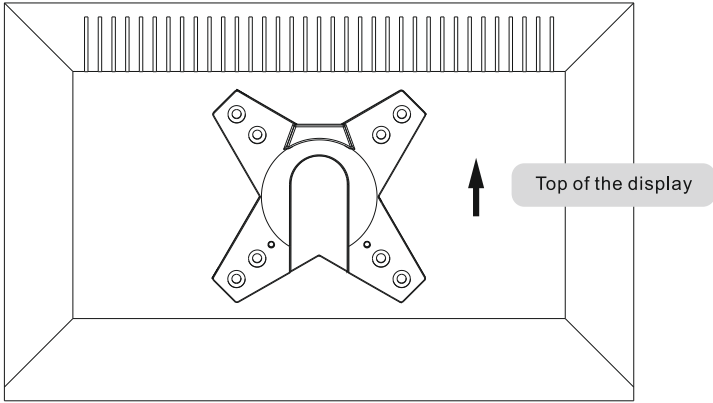
3. Installing the Decorative covers



Install the decorative covers along the wall plate rail until they snap shut onto the wall plate.



4. Installing the VESA Plate

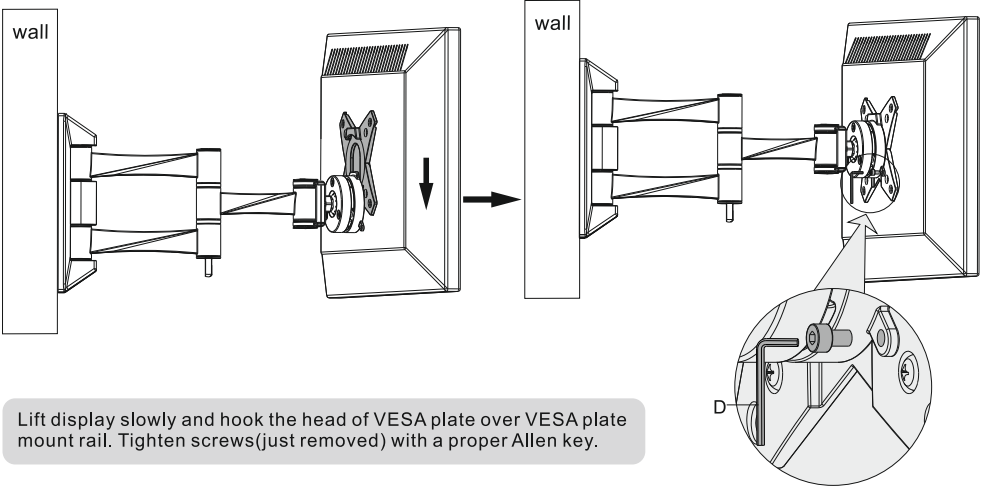


Screw the VESA plate onto the display.



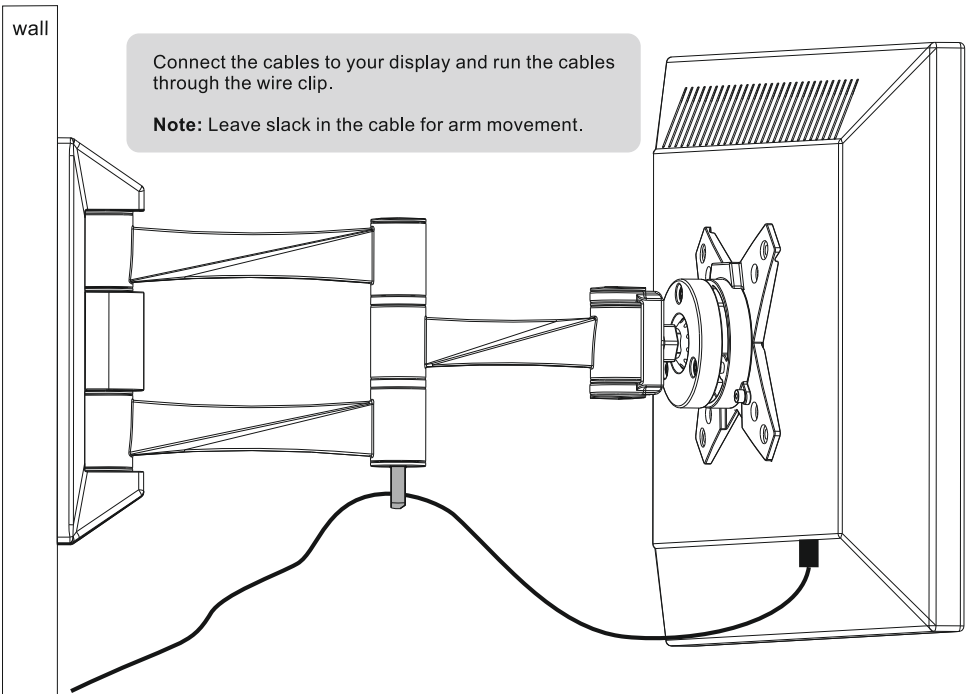
Tighten all screws but do not over tighten.

5. Installing the Display

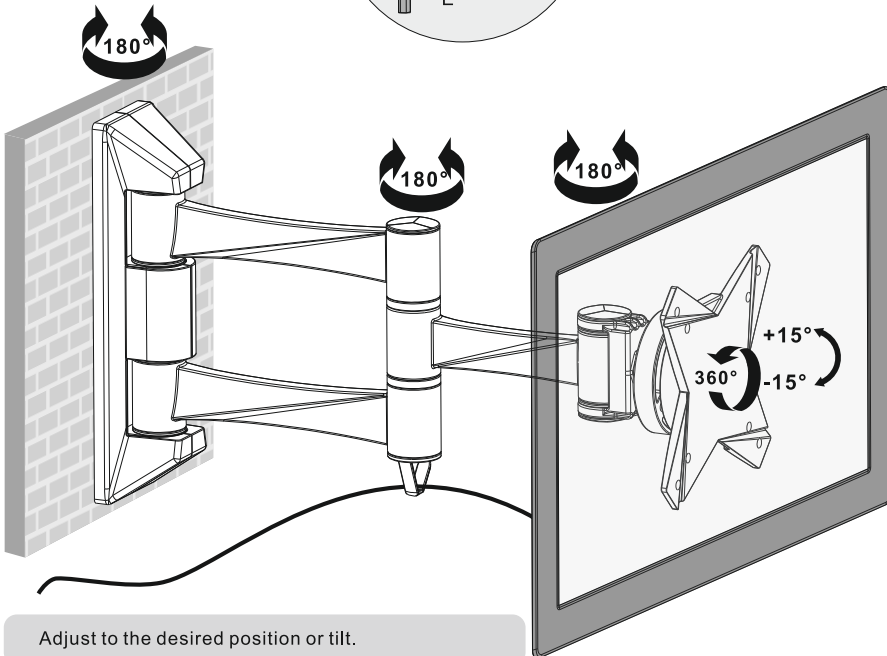
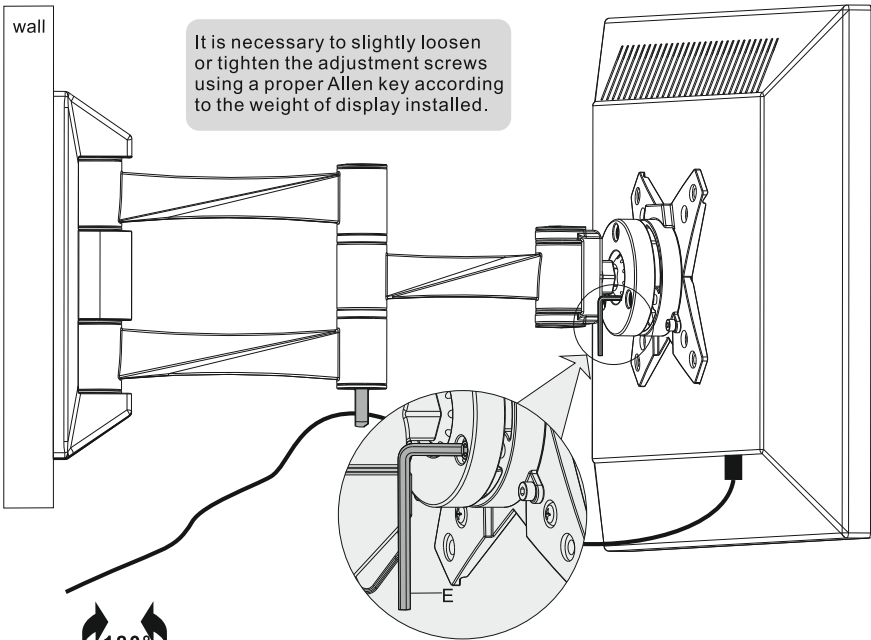


Lift display slowly and hook the head of VESA plate over VESA plate mount rail. Tighten screws (just removed) with a proper Allen key.

6. Cable Management



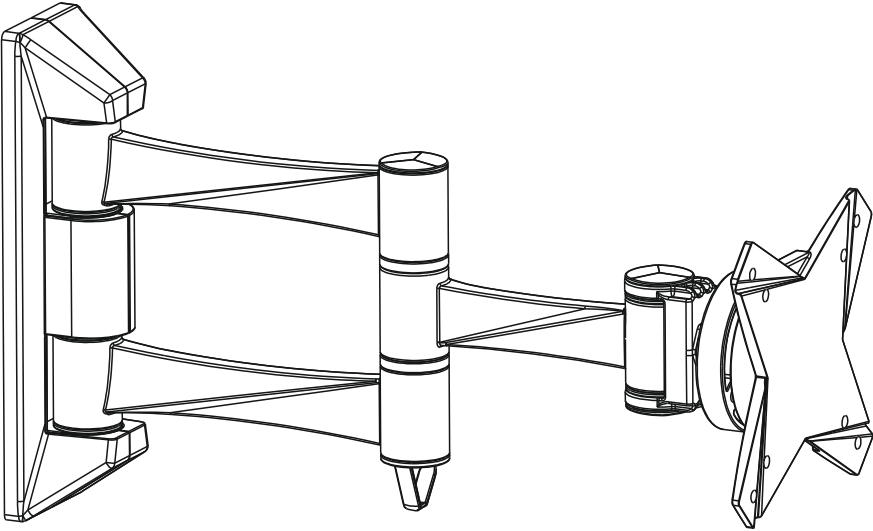
7. Adjustment



Maintenance

- Check that the bracket is secure and safe to use at regular intervals (at least every three months).
- Please contact your distributor if you have any questions.

Support moniteur



**ATTENTION: NE JAMAIS
DEPASSER LA CAPACITE
DE CHARGE**

ECO-113B
ECO-113W



75x75
100x100



 **ATTENTION**

Ne pas commencer l'installation avant d'avoir lu et compris la notice d'installation. En cas de question, veuillez vous adresser à votre commerçant.

Ce produit n'est prévu que pour l'usage décrit dans la présente notice d'utilisation. Une installation inadaptée peut causer des blessures et des dommages.

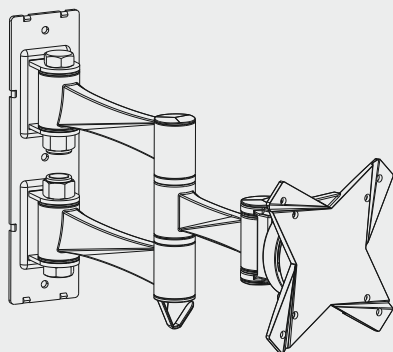
Veuillez vous assurer que la surface de support porte à la fois le poids de ce produit et celui de l'appareil.

Veuillez visser doucement les vis. Les serrer trop fort peut entraîner des dégâts pour le produit.

N'utiliser ce produit qu'en intérieur.

Checklist des composants

IMPORTANT: Veuillez vous assurer d'avoir reçu tous les produits. Si ce n'est pas le cas, veuillez contacter votre commerçant.



(x1)
A



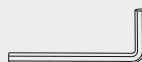
(x1)
B



(x1)
C



3mm (x1)
D

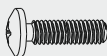


4mm (x1)
E

Package M



M4x14 (x4)
M-A



M5x14 (x4)
M-B



D5 washer (x4)
M-C

Package W



ST5.5x50 (x3)
W-A

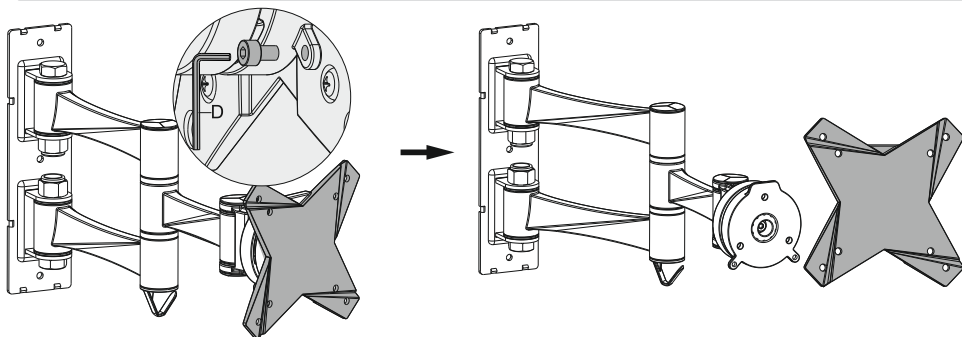


(x3)
W-B

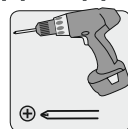
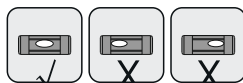
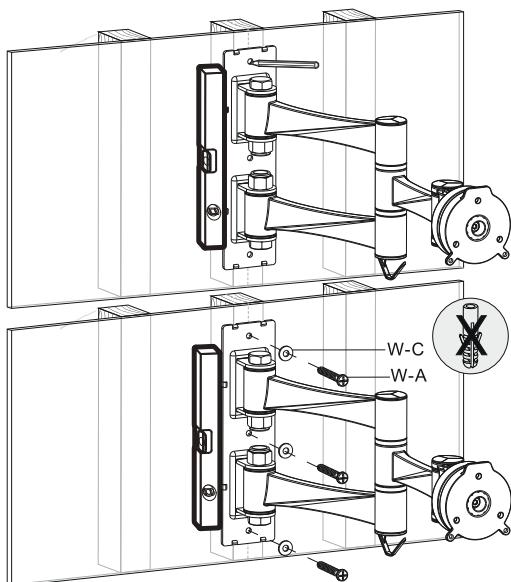
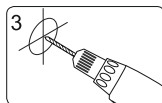
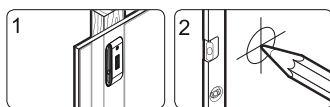
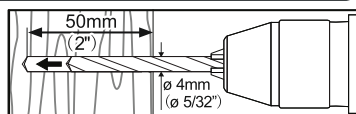
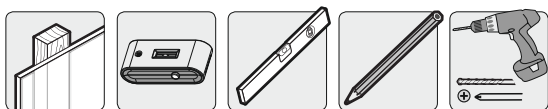


(x3)
W-C

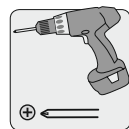
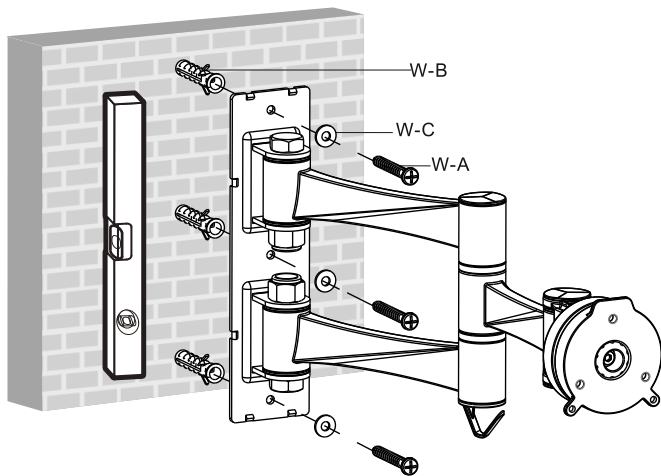
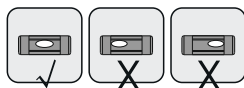
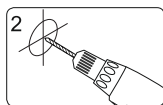
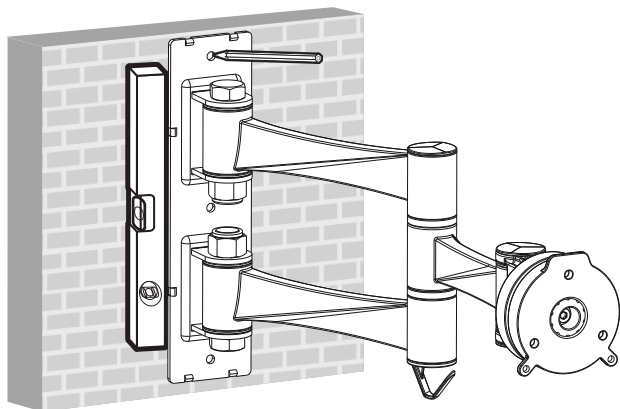
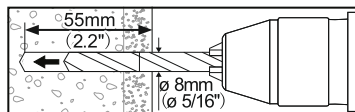
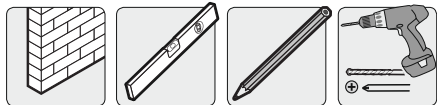
1. Retirer la plaque VESA



2a. Pour le montage sur des murs en bois



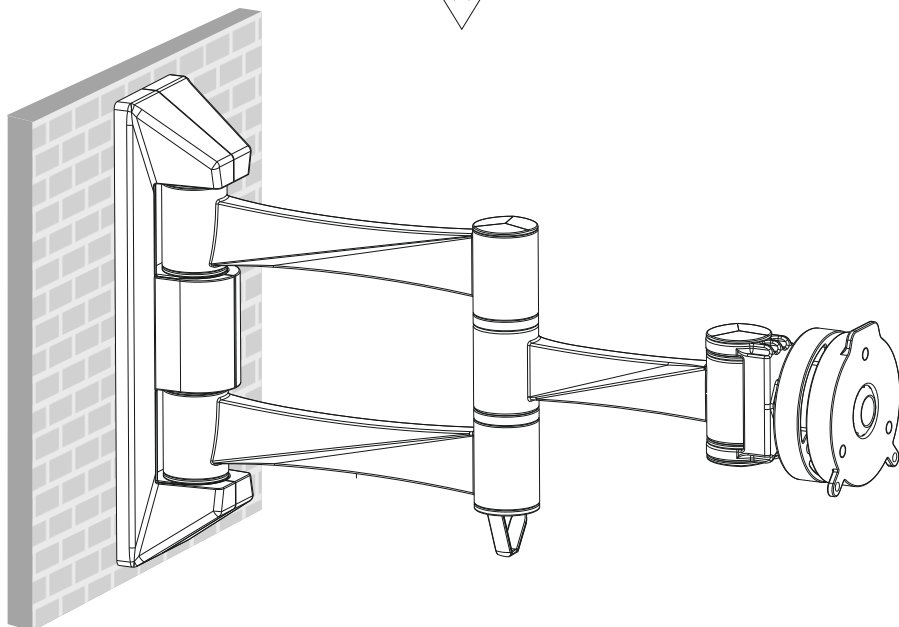
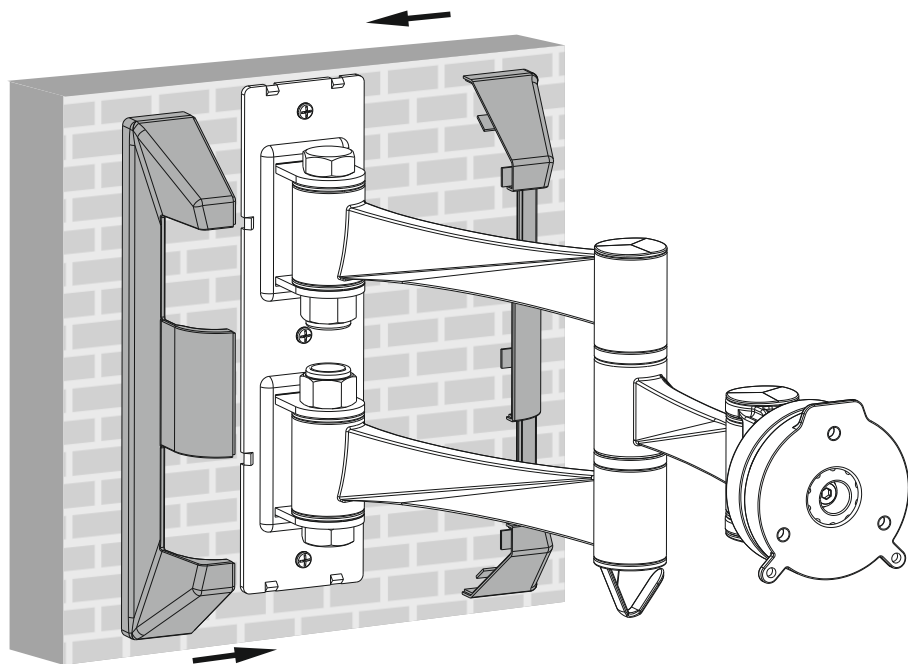
2b. Pour le montage sur des murs en briques ou en béton



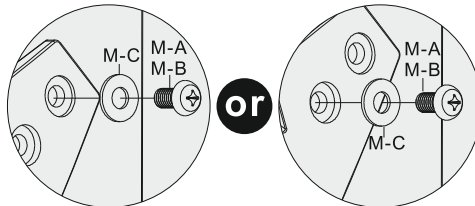
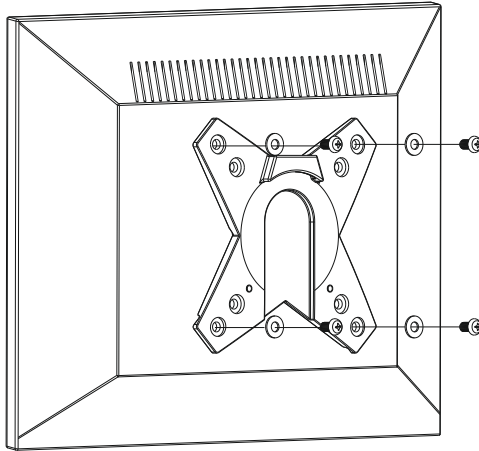
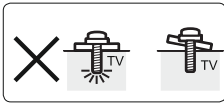
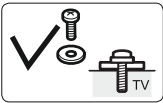
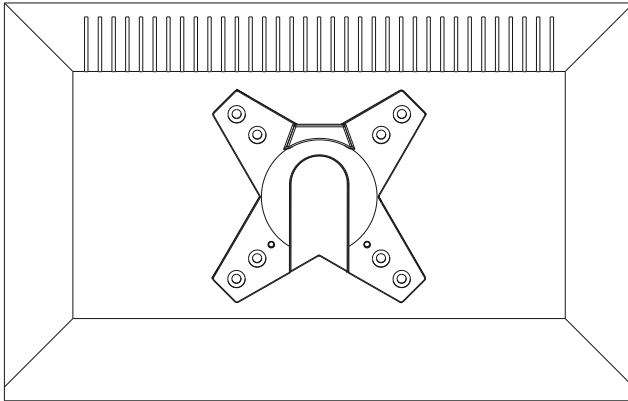
ATTENTION

Assurez-vous que la surface de soutien supporte en sécurité le poids combiné de l'équipement et de tous les matériaux et composants associés.

3. Installer le couvercle

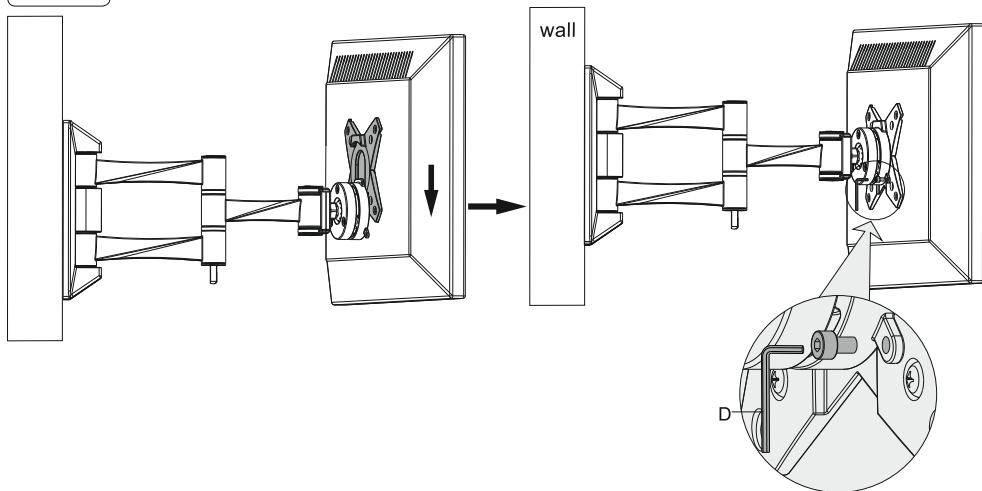


4. Installer la plaque VESA

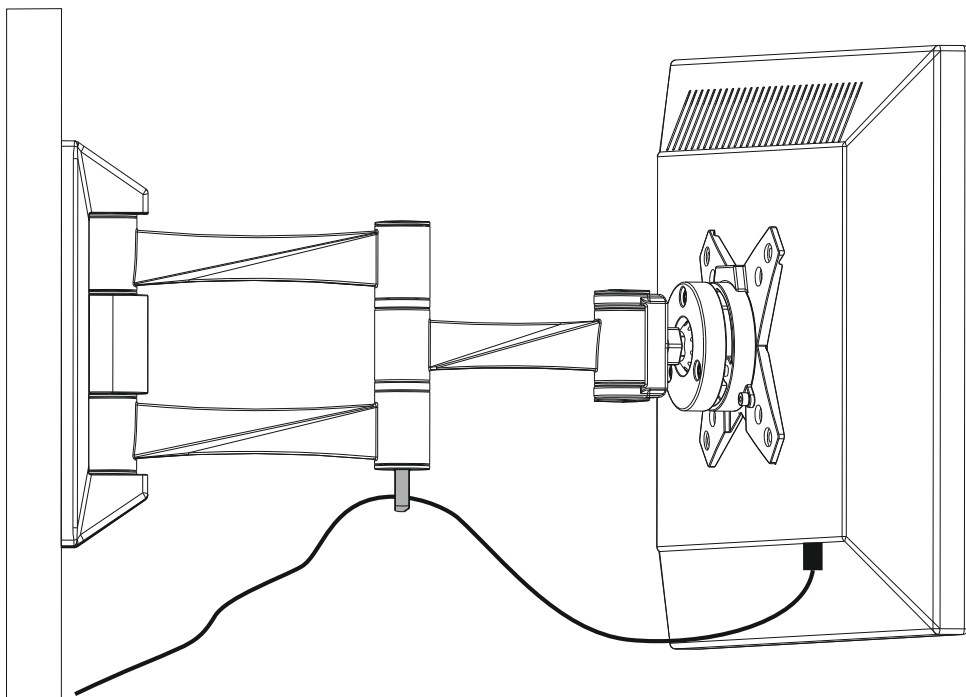


Veillez visser doucement les vis. Les serrer trop fort peut entrainer des dégâts pour le produit.

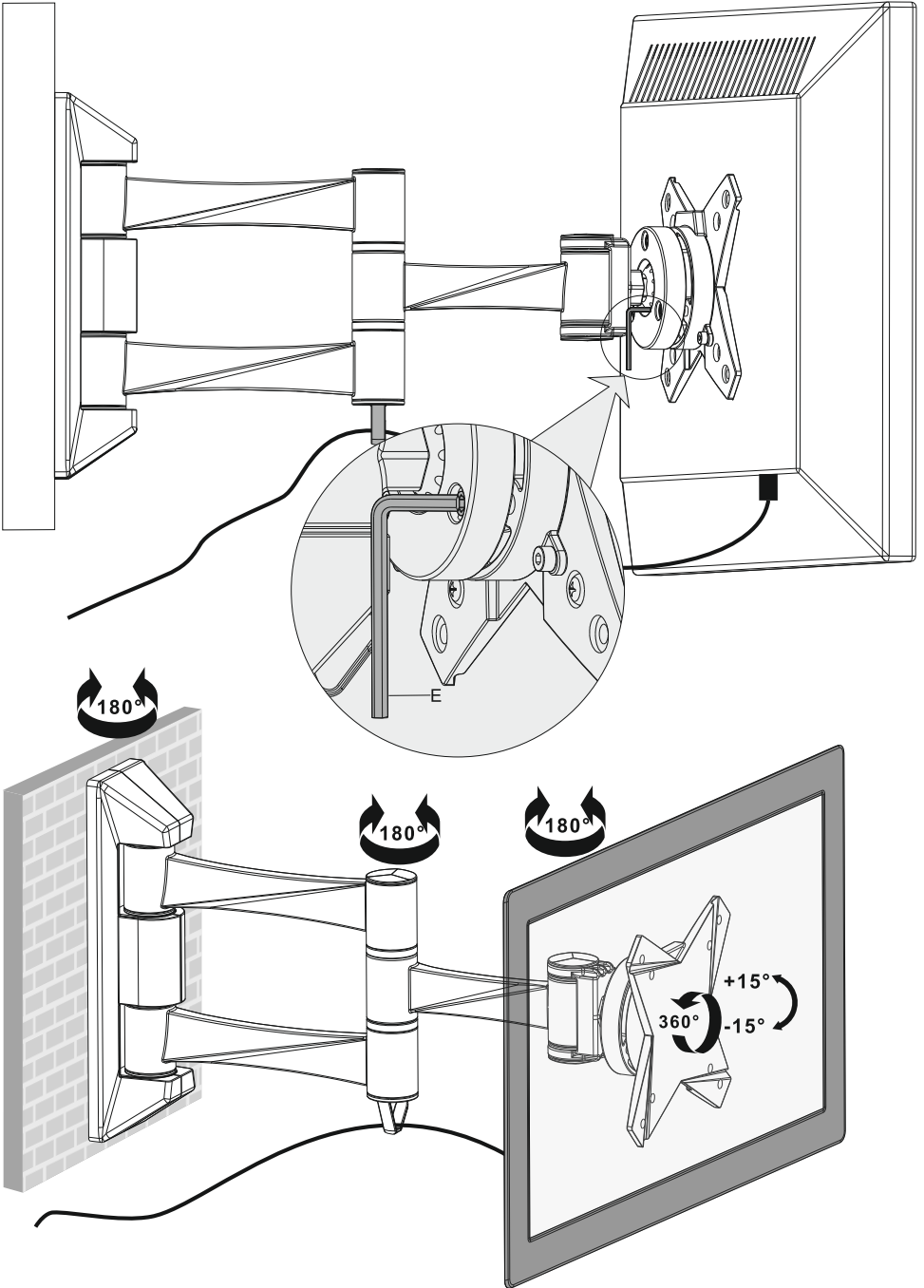
5. Installer le moniteur



6. Management des câbles



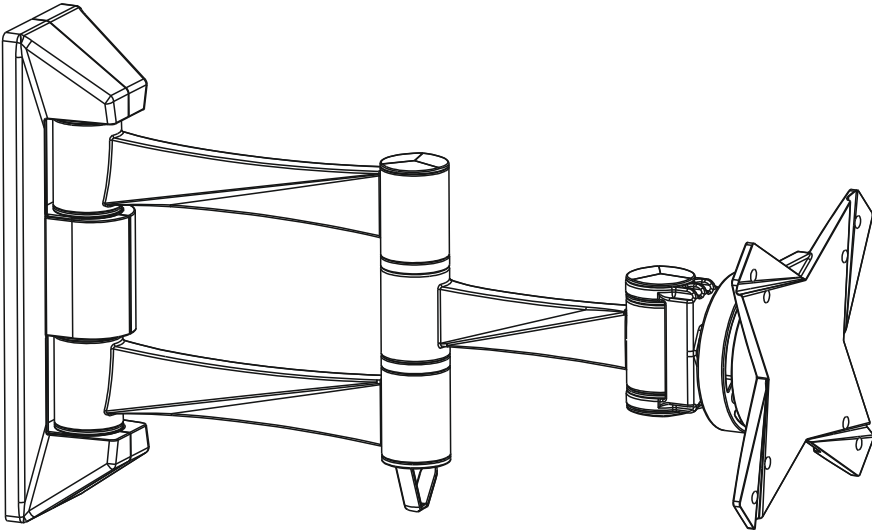
7. Alignement



xantron®

INSTALLATIONSANLEITUNG

Vollbewegliche Monitorhalterung



ACHTUNG: DIE TRAGKRAFT DER HALTERUNG NIEMALS ÜBERSCHREITEN

ECO-113B
ECO-113W



75x75
100x100





WARNUNG

Beginnen Sie die Installation nicht, bevor Sie die Installationsanleitung gelesen und verstanden haben. Bei Fragen wenden Sie sich an Ihren Händler.

Dieses Produkt ist nur für den in dieser Anleitung beschriebenen Zwecke geeignet. Unsachgemäße Installation kann Schäden und Verletzungen verursachen.

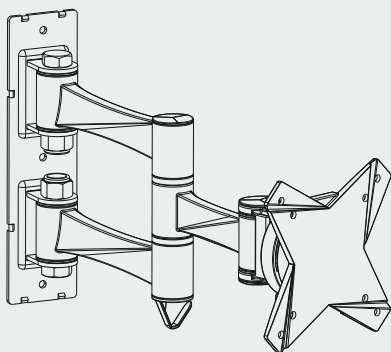
Bitte stellen Sie sicher, dass die tragende Oberfläche das Gewicht dieses Produktes inklusive angebrachte Geräte trägt.

Bitte die Schrauben vorsichtig anziehen. Zu festes Anziehen kann Schäden am Produkt verursachen.

Dieses Produkt nur in Innenräumen verwenden.

Komponenten-Checkliste

Wichtig: Stellen Sie sicher, dass Sie alle Produkte erhalten haben. Ansonsten kontaktieren Sie bitte Ihren Händler.



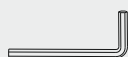
(x1)
A



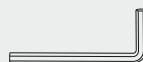
(x1)
B



(x1)
C



3mm (x1)
D



4mm (x1)
E

Package M



M4x14 (x4)
M-A



M5x14 (x4)
M-B

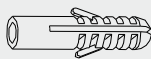


D5 washer (x4)
M-C

Package W



ST5.5x50 (x3)
W-A

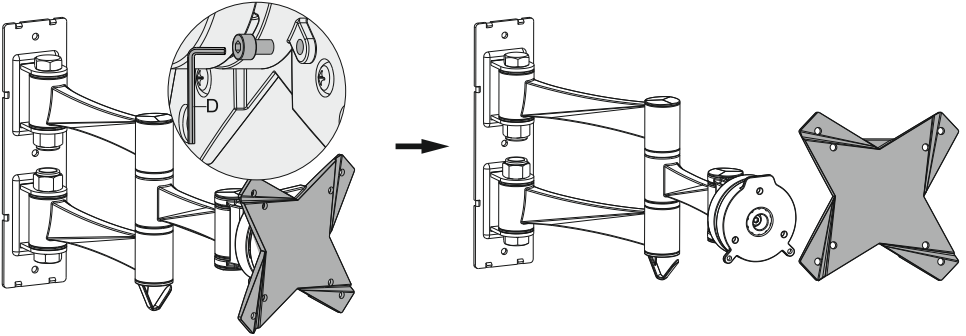


(x3)
W-B

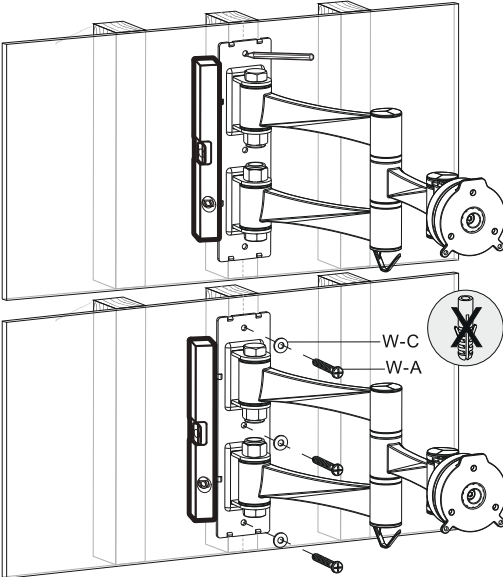
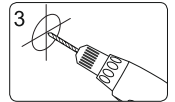
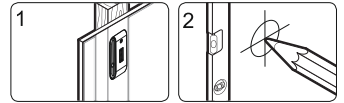
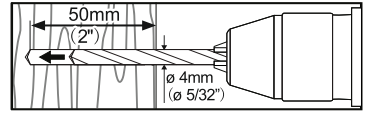
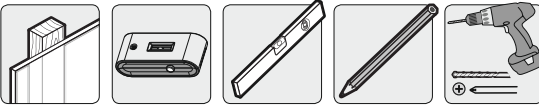


(x3)
W-C

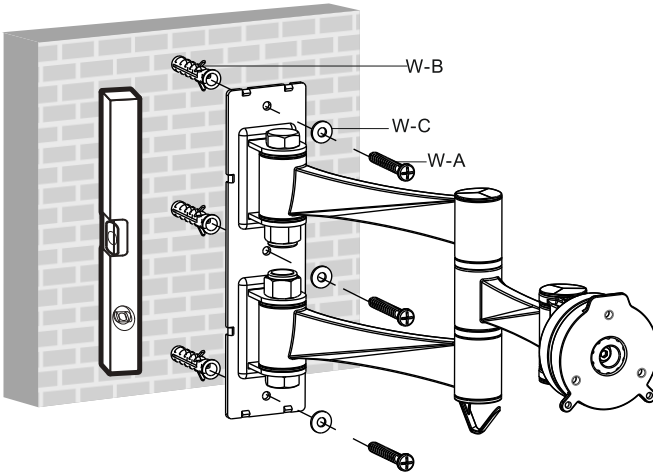
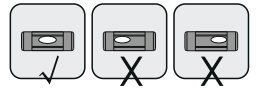
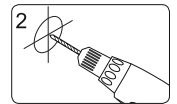
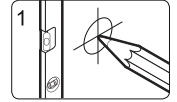
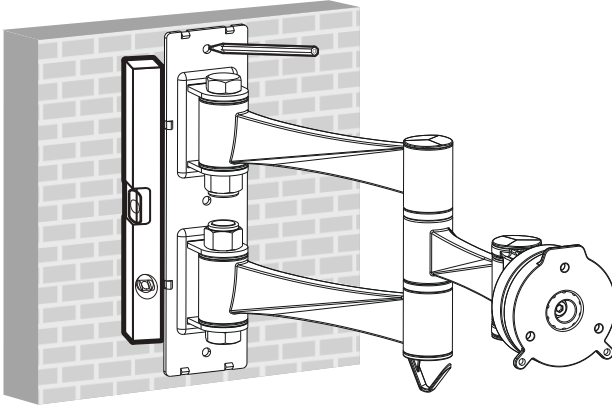
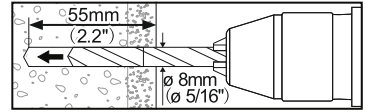
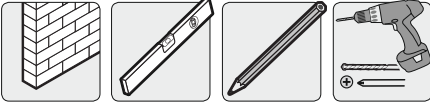
1. VESA Platte entfernen



2a. Für die Montage an Holzwänden



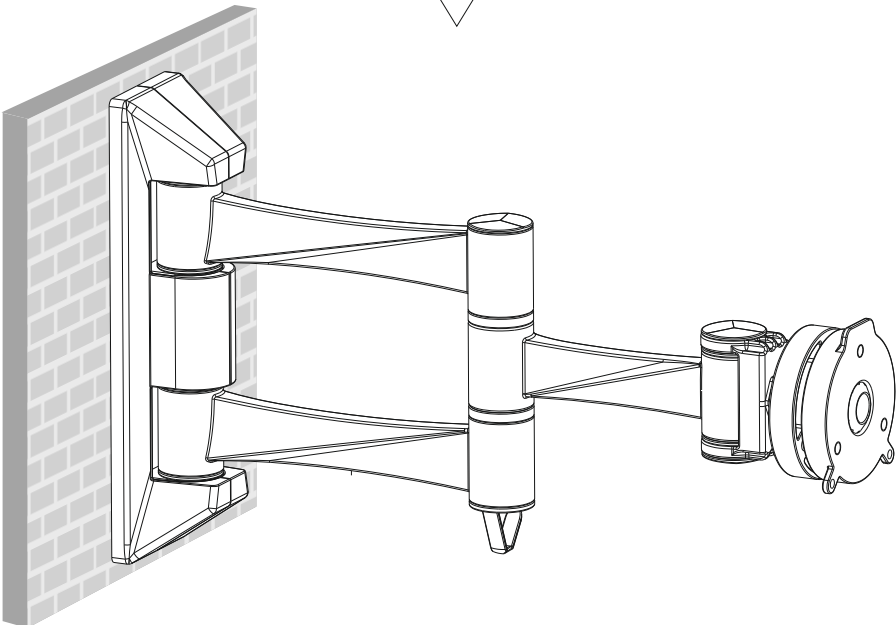
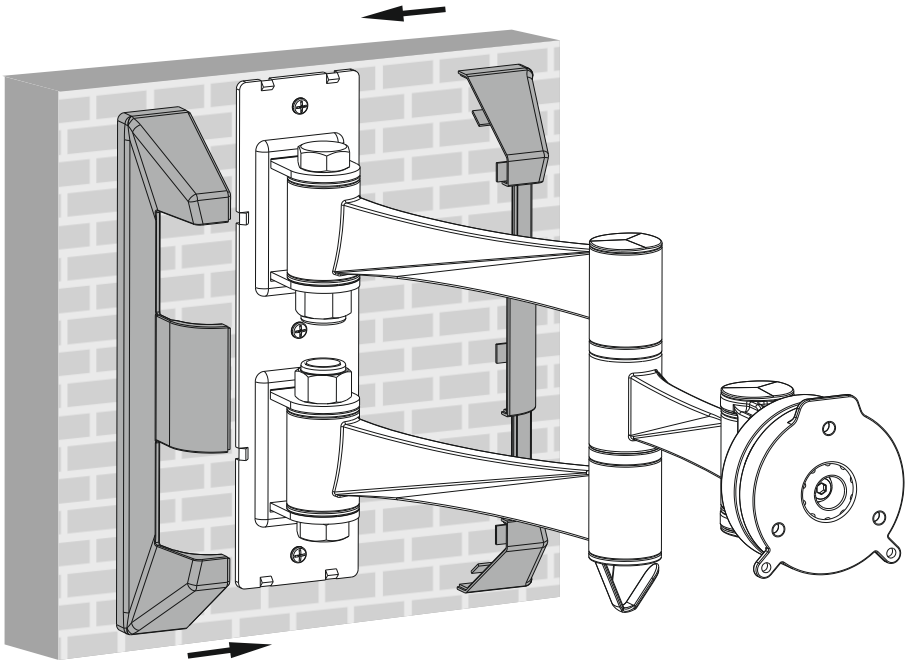
2b. Für die Montage an Backstein oder Betonwänden



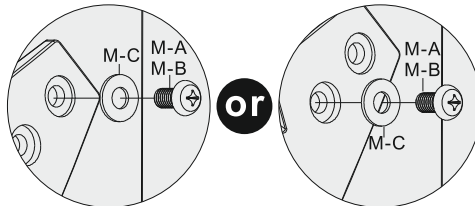
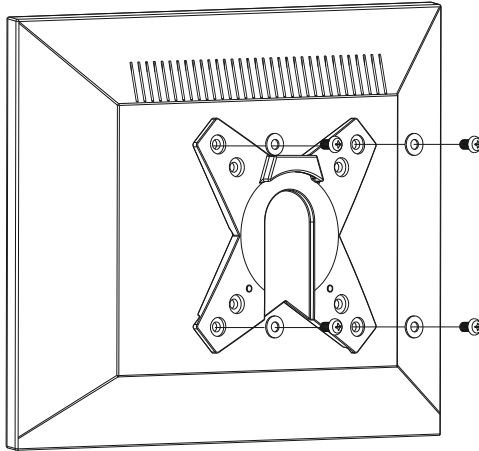
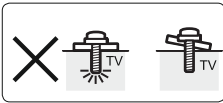
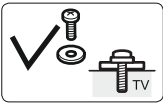
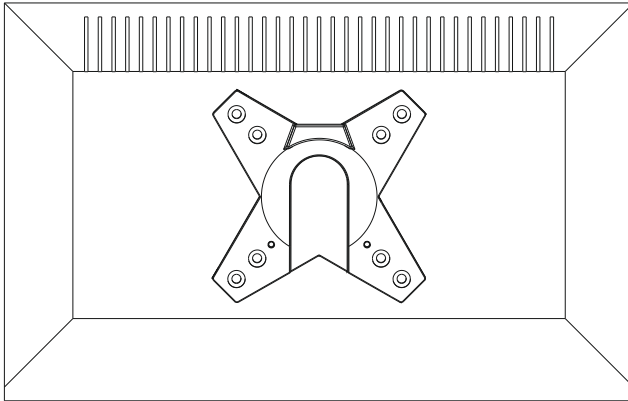
WARNUNG

Bitte stellen Sie sicher, dass die tragende Oberfläche das Gewicht dieses Produktes inklusive angebrachte Geräte trägt.

3. Abdeckungen installieren

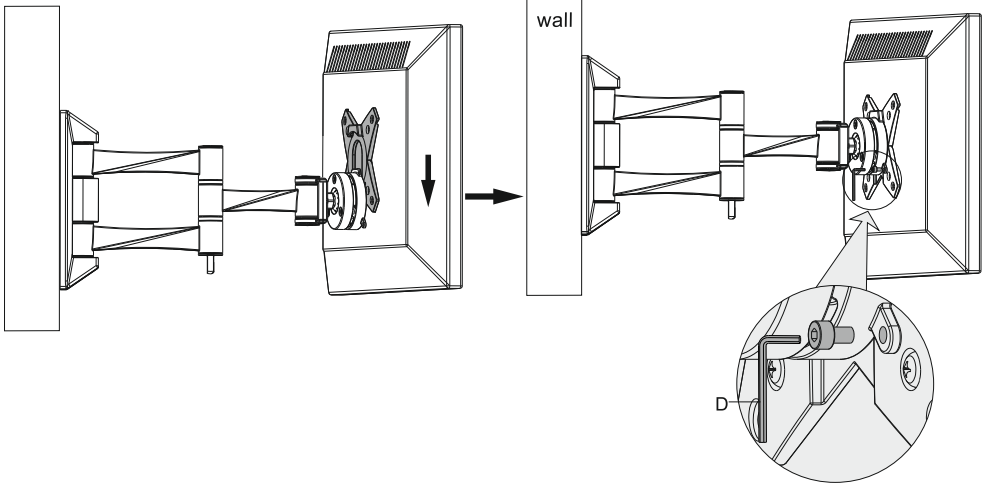


4. VESA Platte installieren

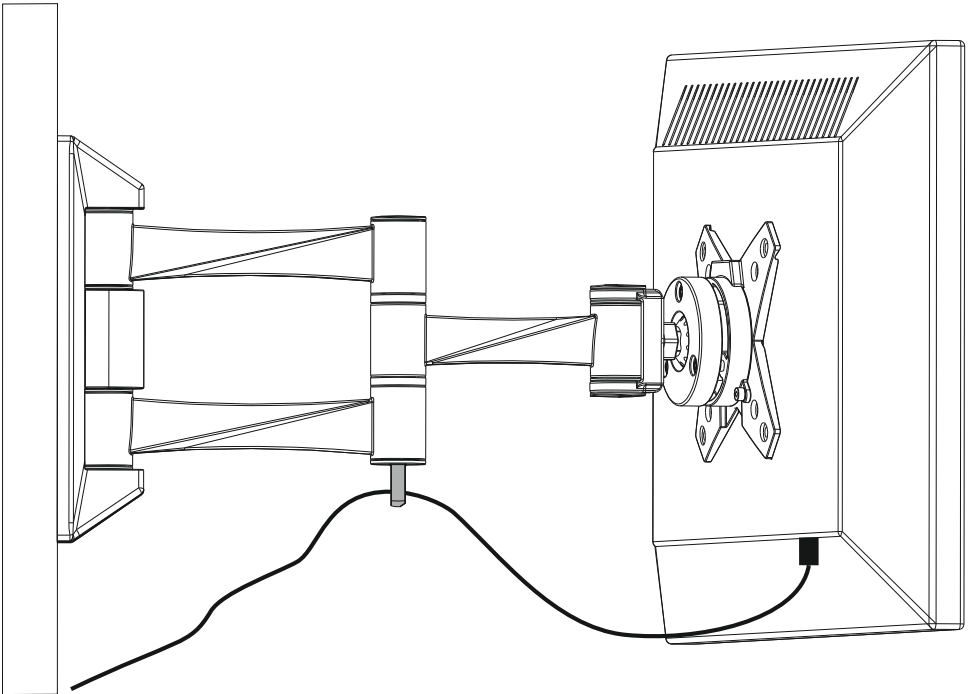


Bitte die Schrauben vorsichtig anziehen. Zu festes Anziehen kann Schäden am Produkt verursachen.

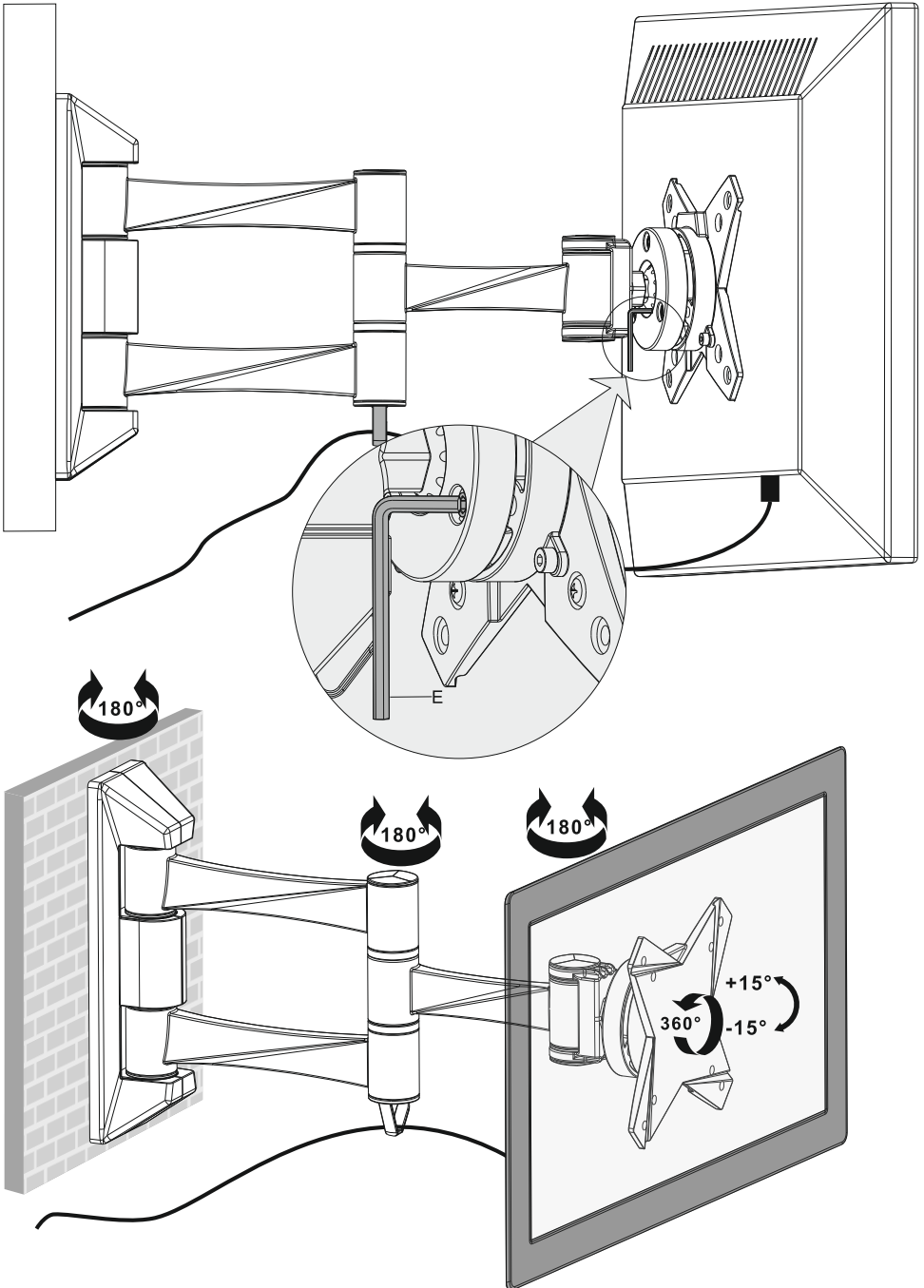
5. Bildschirm installieren



6. Kabelmanagement



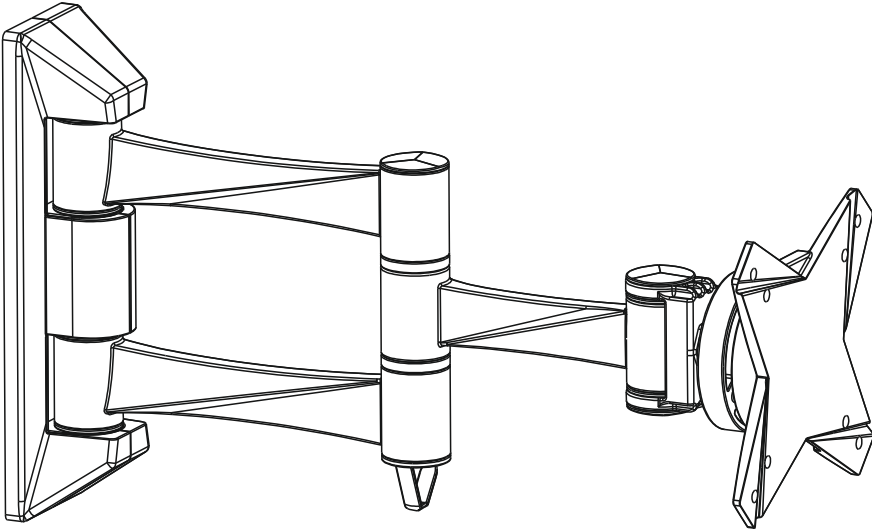
7. Ausrichtung



xantron®

ISTRUZIONI D'INSTALLAZIONE

Supporto a parete



**ATTENZIONE: MAI
SUPERARE LA CAPACITÀ
DI CARICA**

ECO-113B
ECO-113W



75x75
100x100





Attenzione

Non iniziare l'installazione prima di aver letto e compreso la guida all'installazione. In caso di domande si prega di rivolgersi al commerciante.

Questo prodotto è adatto esclusivamente agli scopi descritti nel presente manuale. Un'installazione impropria potrebbe causare danni o ferite.

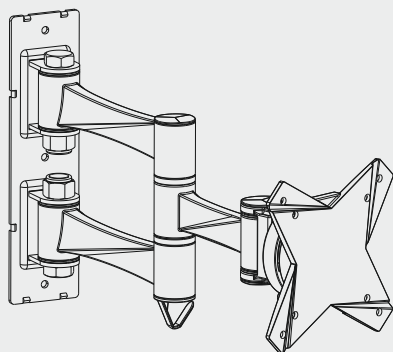
Si prega di assicurarsi che la superficie portante sostenga il peso di questo prodotto, inclusi i dispositivi installati.

Si prega di serrare attentamente le viti. L'eccessivo serraggio può provocare danni al prodotto.

Utilizzare il prodotto soltanto in ambienti interni.

Lista di controllo componente

IMPORTANTE: Assicurarsi di aver ricevuto tutti i prodotti. In caso contrario si prega di contattare il commerciante.



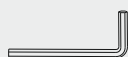
(x1)
A



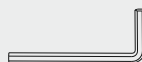
(x1)
B



(x1)
C



3mm (x1)
D

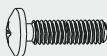


4mm (x1)
E

Pacchetto M



M4x14 (x4)
M-A



M5x14 (x4)
M-B



D5 washer (x4)
M-C

Pacchetto W



ST5.5x50 (x3)
W-A

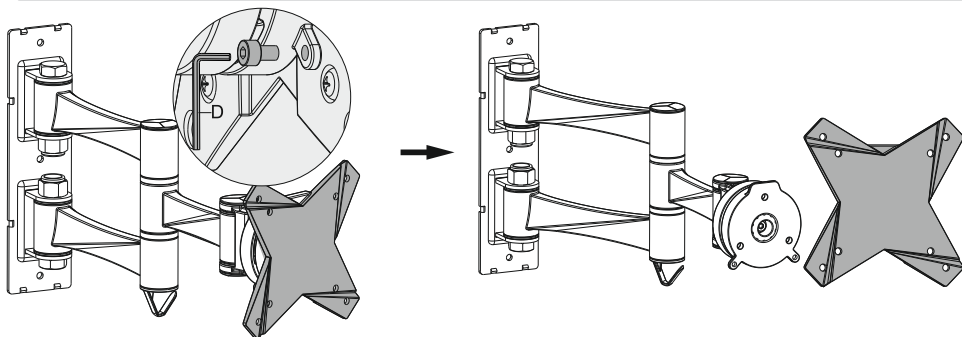


(x3)
W-B

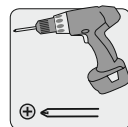
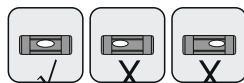
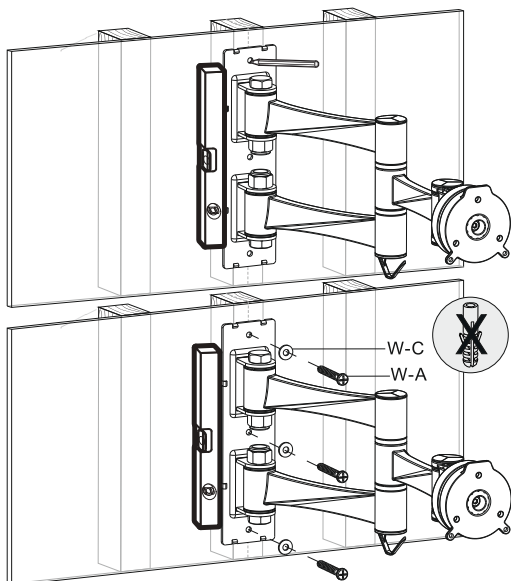
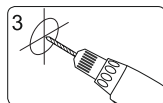
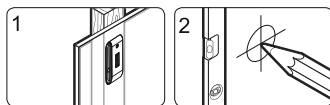
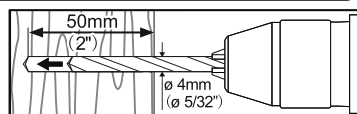
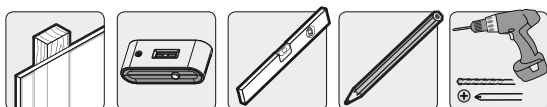


(x3)
W-C

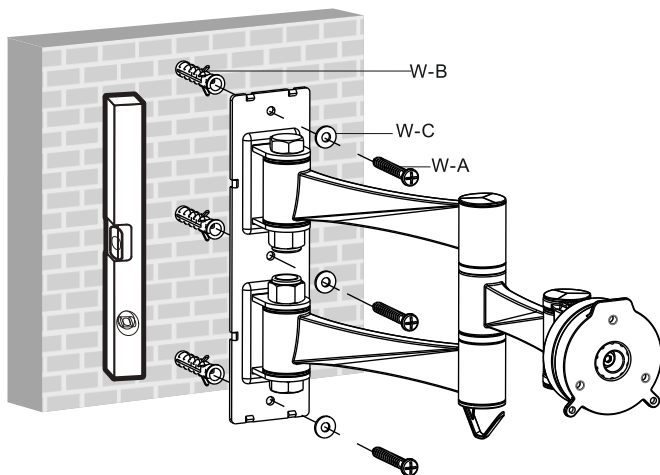
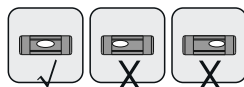
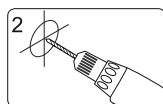
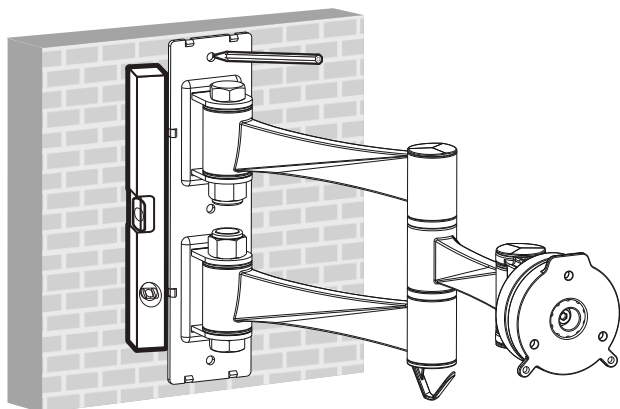
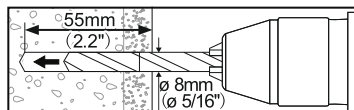
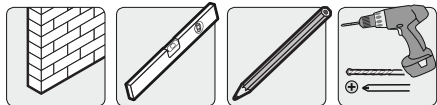
1. Rimuovere la piastra VESA



2a. Per il montaggio su pareti in legno



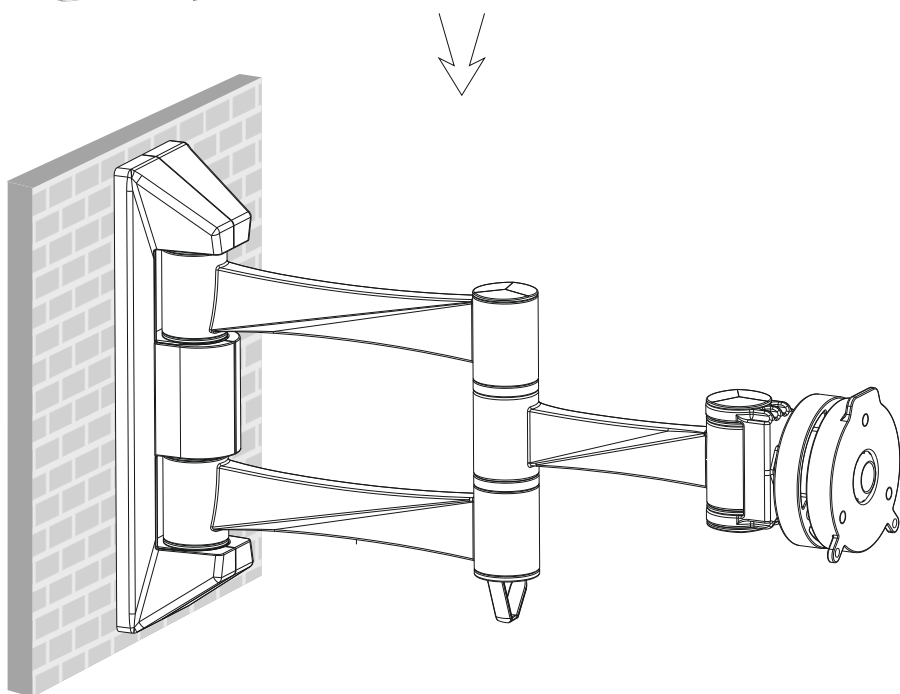
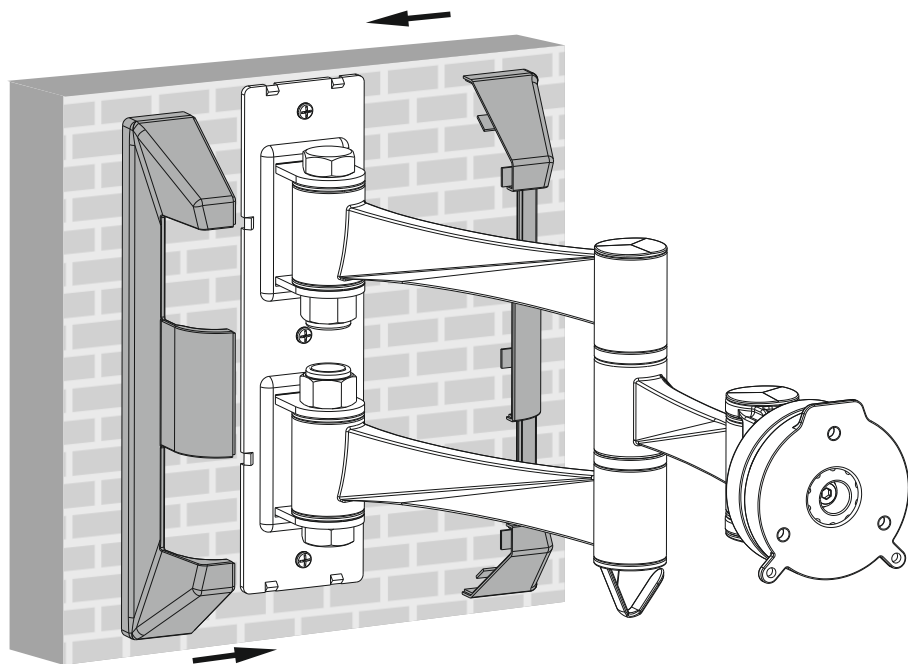
2b. Per il montaggio su mattone o su pareti in cemento



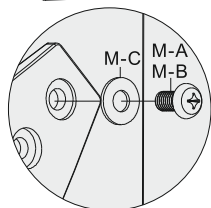
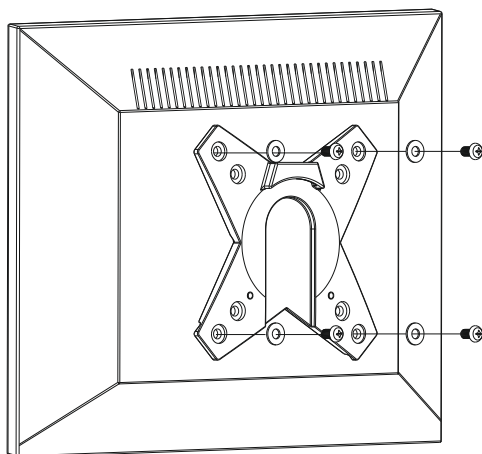
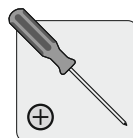
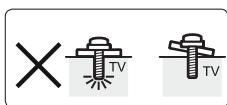
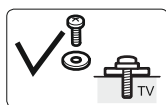
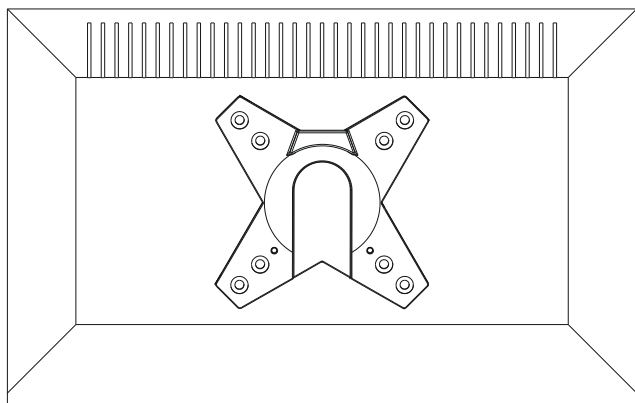
ATTENZIONE

Assicurarsi di aver ricevuto tutti i prodotti. In caso contrario si prega di contattare il commerciante.

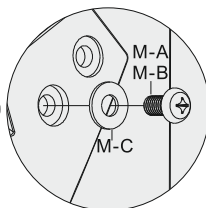
3. Installare il coperchio



4. Installare la piastra VESA

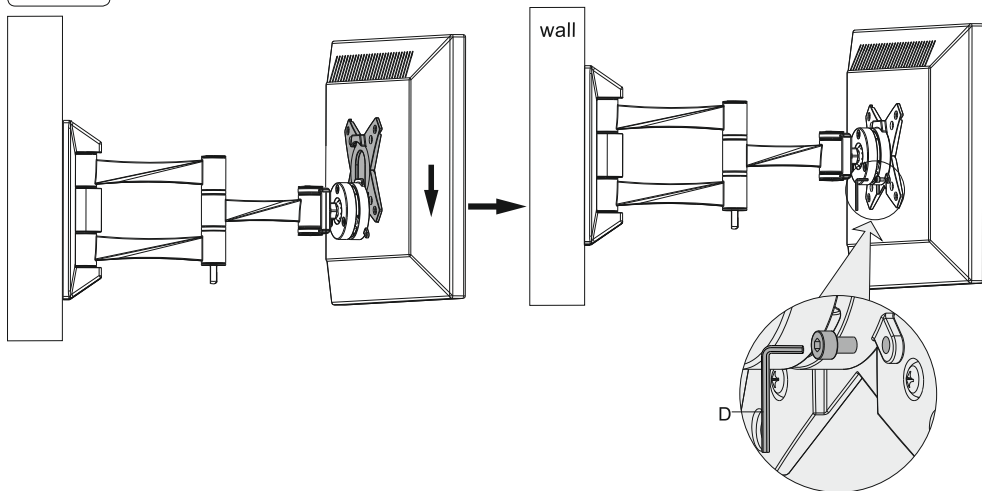


or

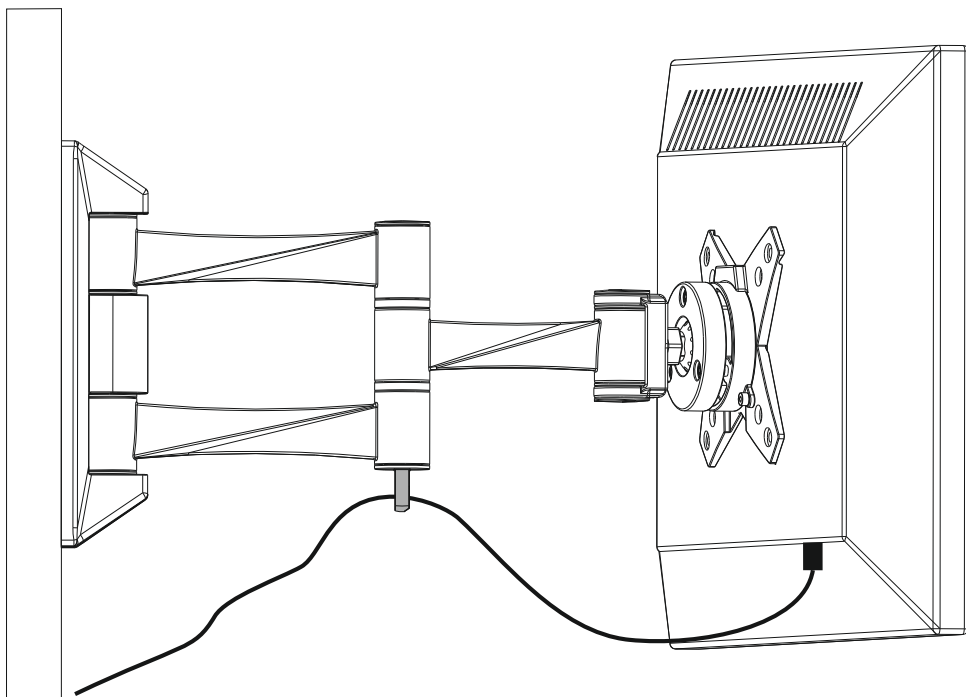


Si prega di serrare attentamente le viti. L'eccessivo serraggio può provocare danni al prodotto.

5. Installazione del monitor



6. Management die cavi



7. Allineamento

