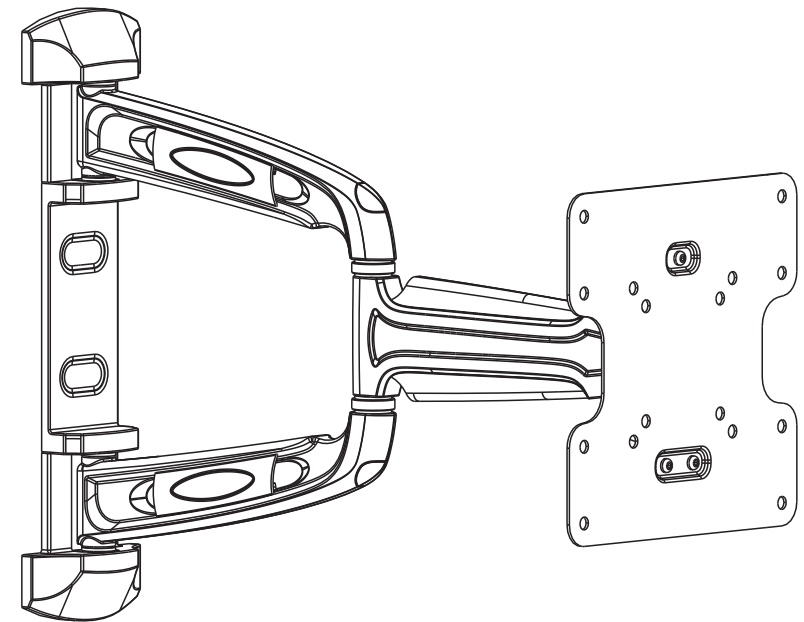


Full Motion LED,LCD TV Wall Mount



CAUTION: DO NOT EXCEED MAXIMUM LISTED WEIGHT CAPACITY. SERIOUS INJURY OR PROPERTY DAMAGE MAY OCCUR!

 75x75/100x100
200x100/200x200

 37"
MAX

 35kg
(77lbs)
MAX

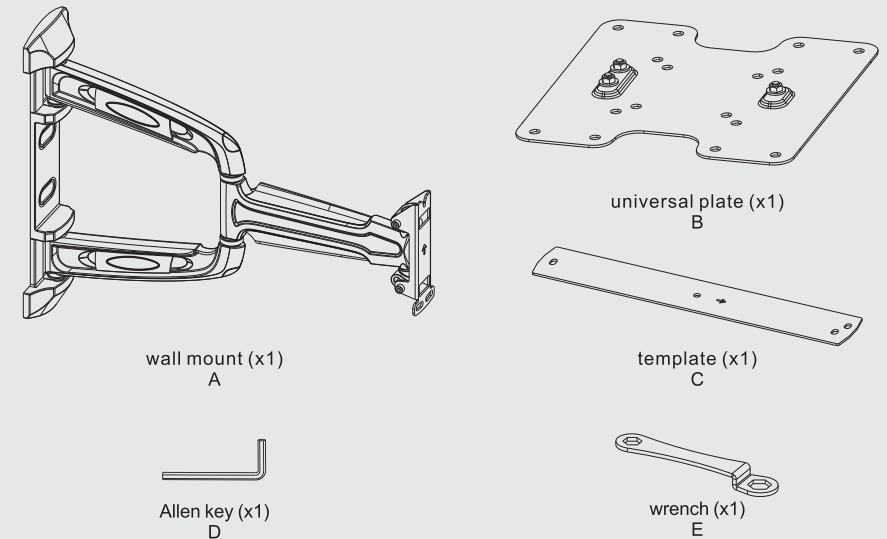
NOTE: Read the entire instruction manual before you start installation and assembly.

WARNING

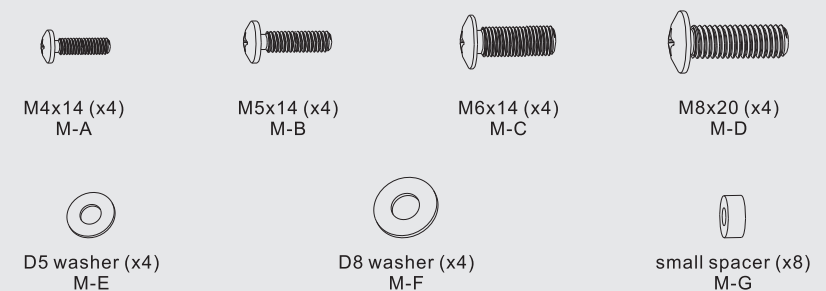
- Do not begin the installation until you have read and understood the instructions and warnings contained in this installation sheet. If you have any question regarding any of the instruction or warning, please contact your local distributor.
- This mounting bracket was designed to be installed and utilized **ONLY** as specified in this manual. Improper installation of this product may cause damage or serious injury.
- This product should only be installed by someone of good mechanical ability, with basic building experience and fully understanding of this manual.
- Make sure that the supporting surface will safely support the combined load of the equipment and all attached hardware and components.
- If mounting to wood wall studs, make sure that mounting screws are anchored into the center of the studs. The use of a stud finder is highly recommended.
- Always use assistant or mechanical lifting equipment to safely lift and position equipment.
- Tighten screws firmly, but do not over tighten. Over tightening can damage the items, greatly reducing their holding power.
- This product is intended for indoor use only. Using this product outdoors could lead to product failure and personal injury.

Component Checklist

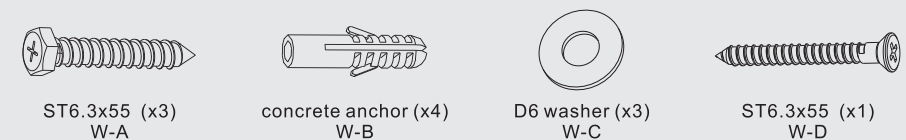
IMPORTANT: Ensure that you have received all parts according to the component checklist prior to installing. If any parts are missing or faulty, telephone your local distributor for a replacement.



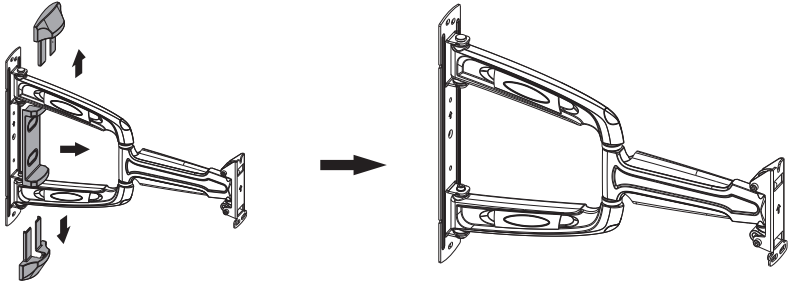
Package M



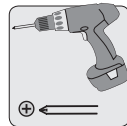
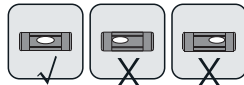
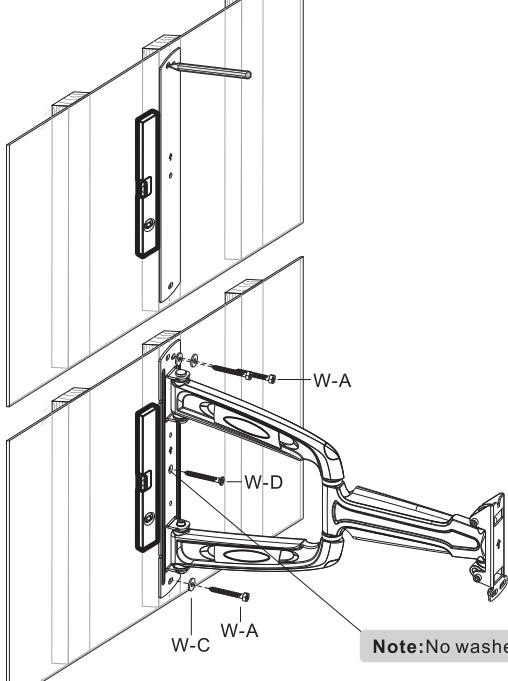
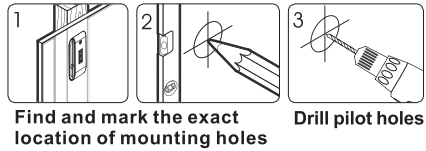
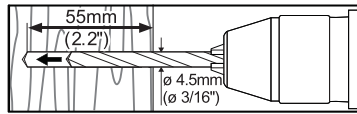
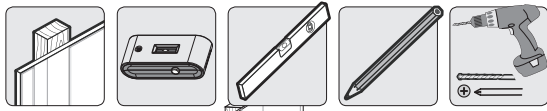
Package W



1. Separate Decorative Covers



2a. Mount on Wood Stud Wall

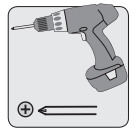
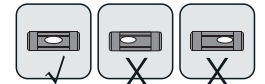
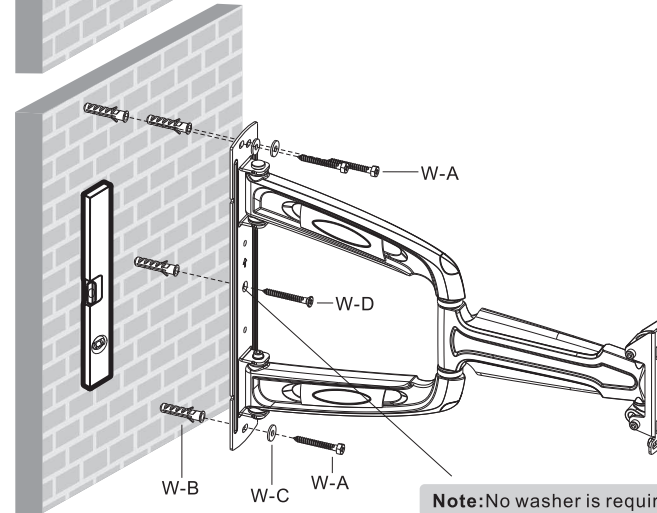
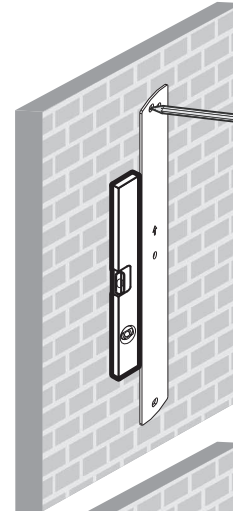
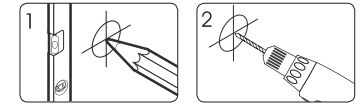
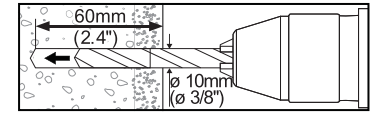
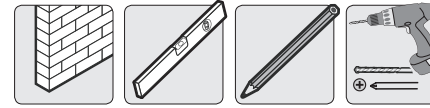


Screw the wall mount onto the wall

⚠ WARNING

- Make sure that mounting screws are anchored into the center of the studs. The use of a stud finder is highly recommended.
- Installers are responsible to provide hardware for other types of mounting situations.
- Installers must verify that the supporting surface will safely support the combined load of the equipment and all attached hardware and components.

2b. Mount on Solid Brick and Concrete



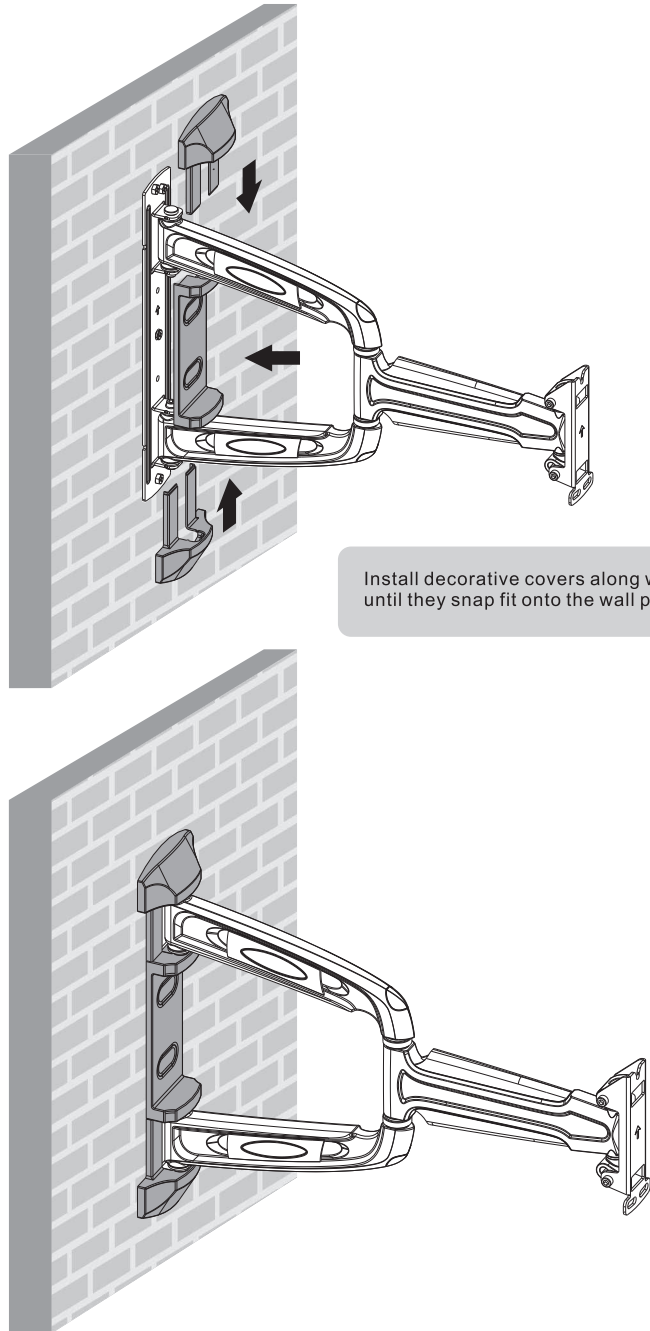
Screw the wall mount onto the wall

with arrow head pointing up

⚠ WARNING

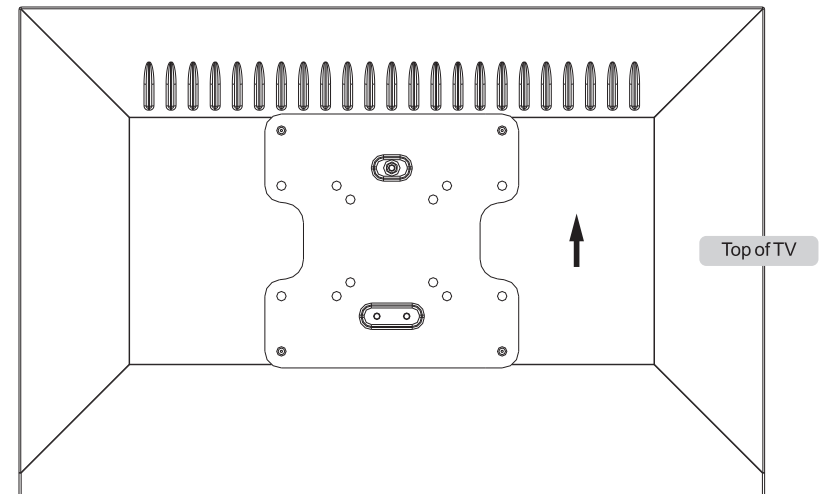
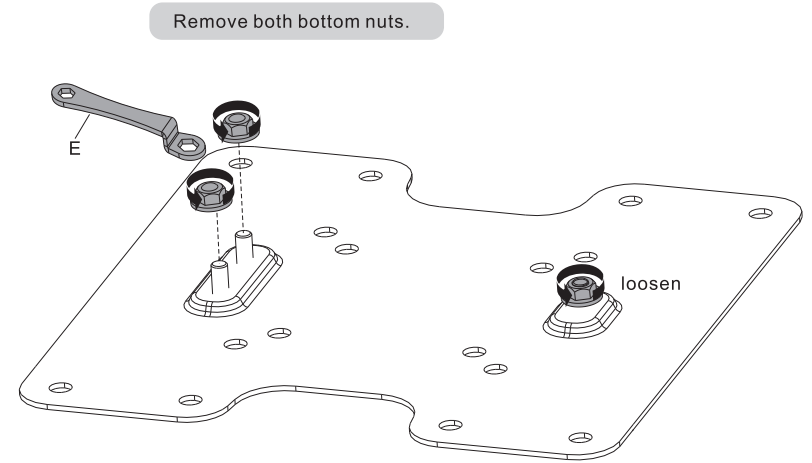
Installers must verify that the supporting surface will safely support the combined load of the equipment and all attached hardware and components.

3. Install Decorative Covers

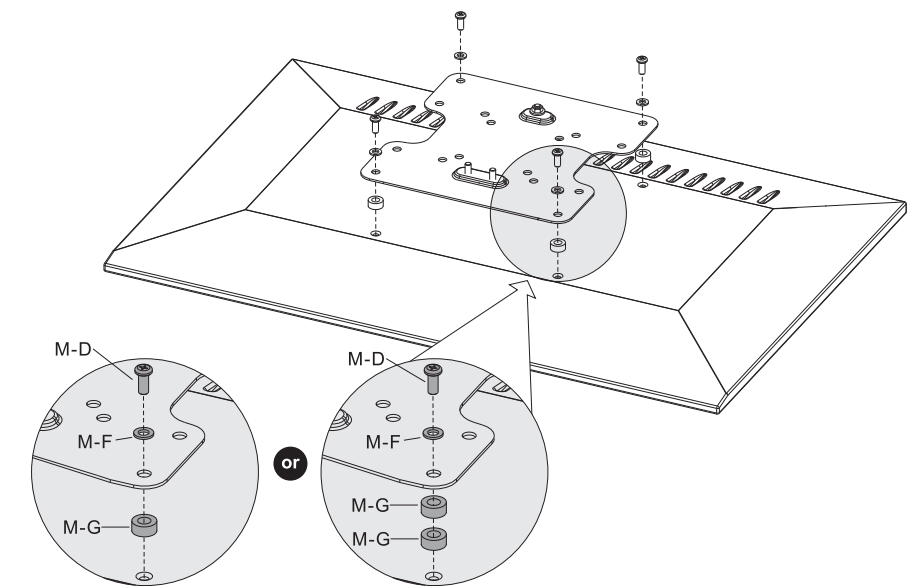
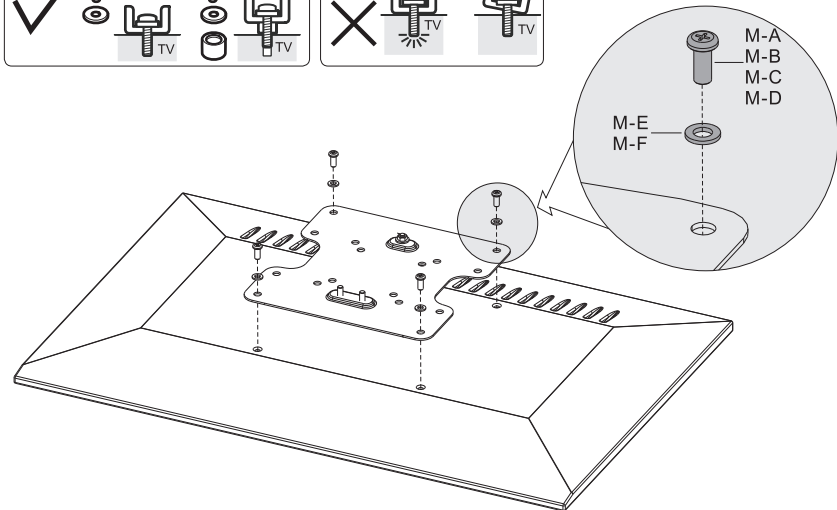
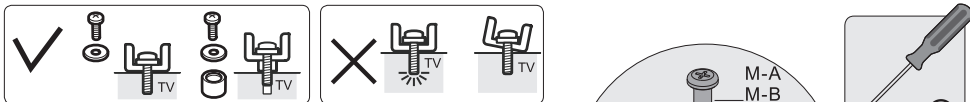


Install decorative covers along wall plate rail until they snap fit onto the wall plate.

4. Install VESA Plate



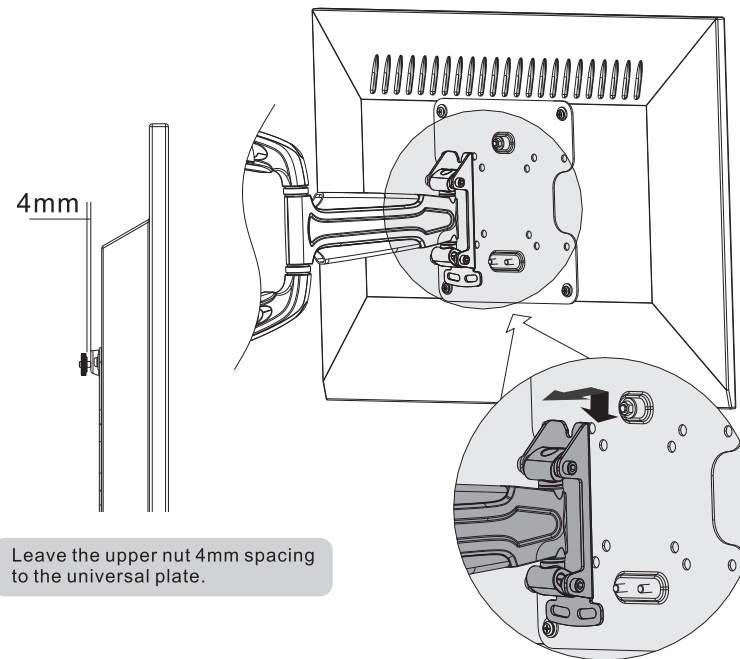
Assembly Instructions



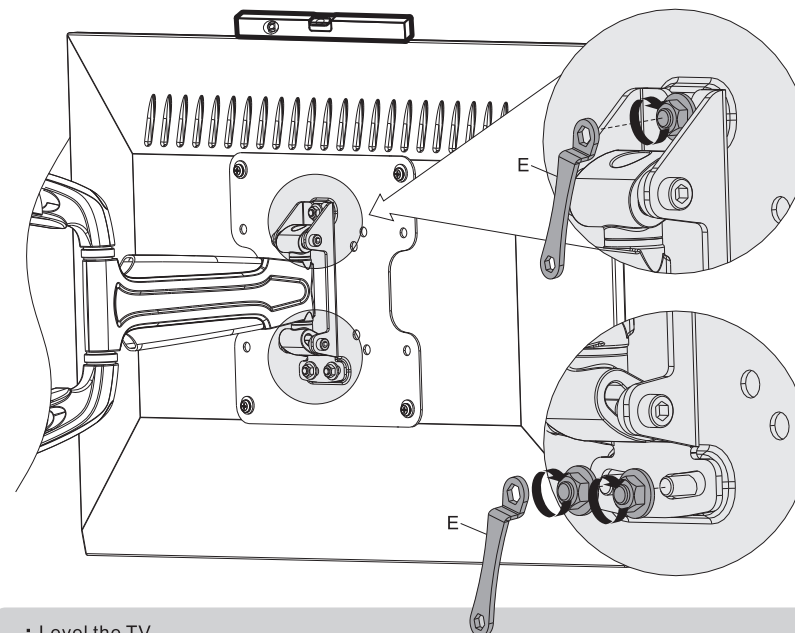
Note: Choose appropriate screws, washers and spacers (if necessary) according to the type of screen. Screw VESA plate onto the TV.

⚠️ Tighten all screws but do not over tighten.

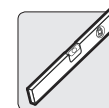
5. Hook TV onto the Wall Mount



Leave the upper nut 4mm spacing to the universal plate.

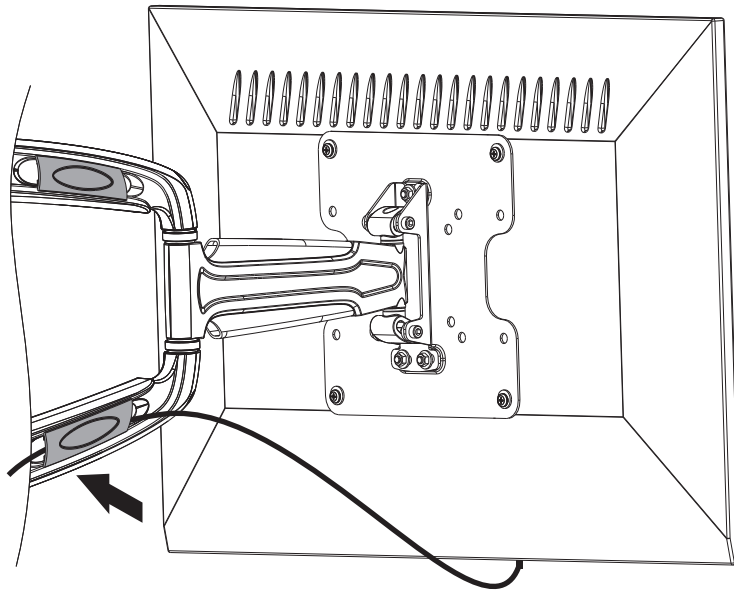
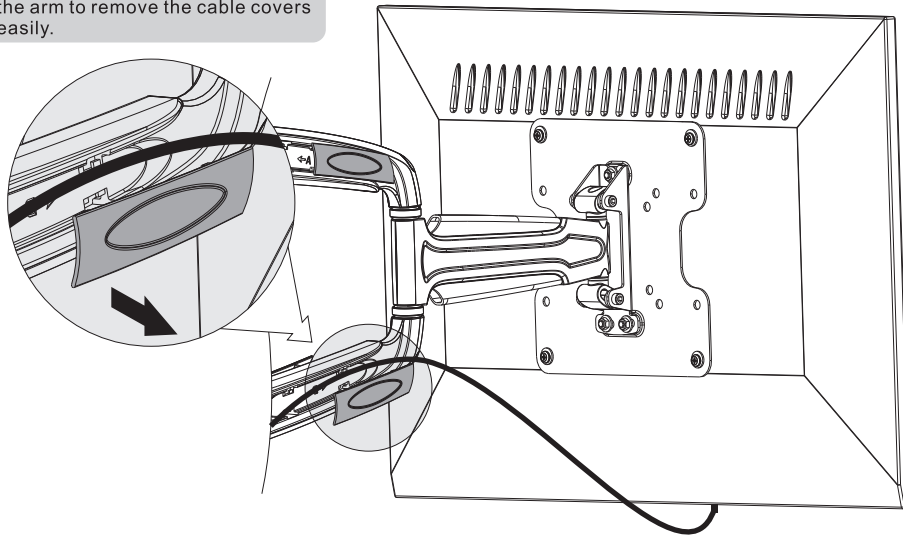


- Level the TV.
- Place the lower nuts and tighten all nuts.



6. Cable Management

NOTE: Push the cable covers along the arm to remove the cable covers easily.

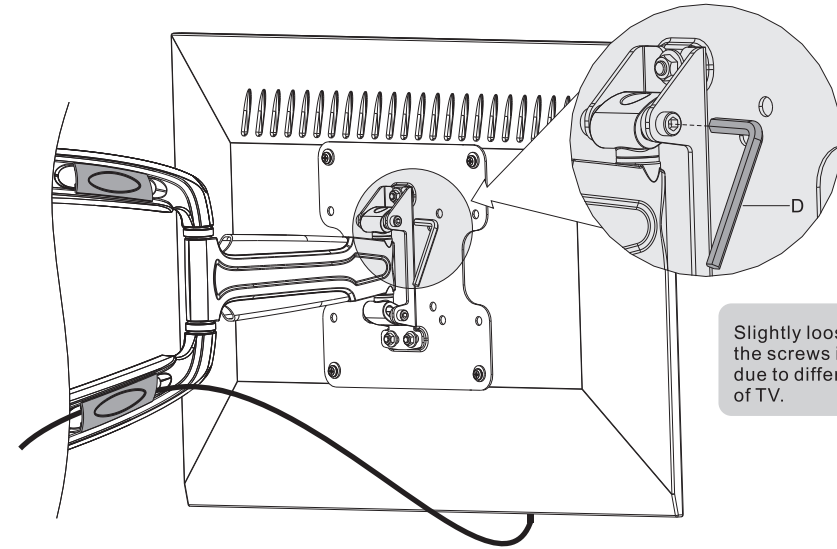


- Remove the cable covers to run cables.
- Re-attach the cable covers to hold cables in place.

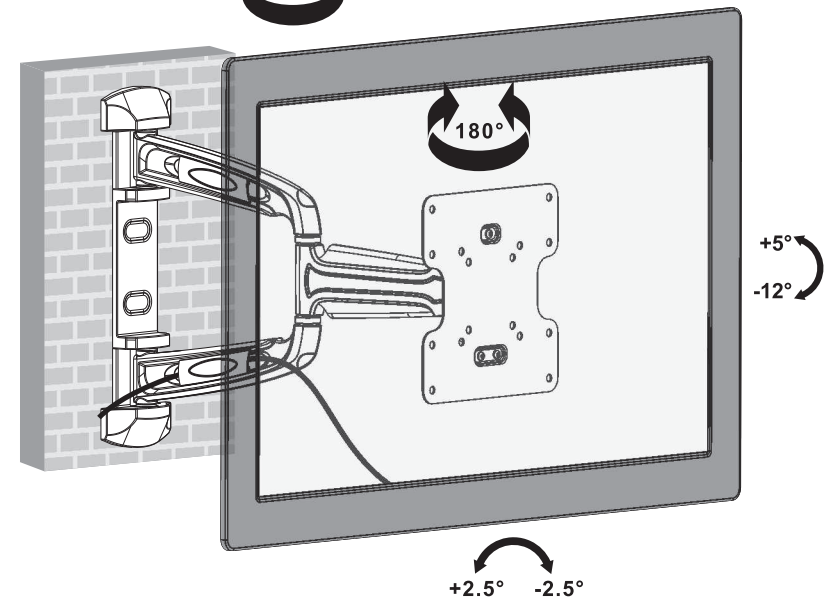
Note: • Leave slack in cable for arm movement.

- Route power cable and signal cable in different cable cover can avoid signal disturbance.

7. Adjustment



Slightly loosen or tighten the screws is required due to different weight of TV.



Adjust to desired location or tilt.

Maintenance

- Check that the bracket is secure and safe to use at regular intervals (at least every three months).
- Please contact your dealer if you have any questions.