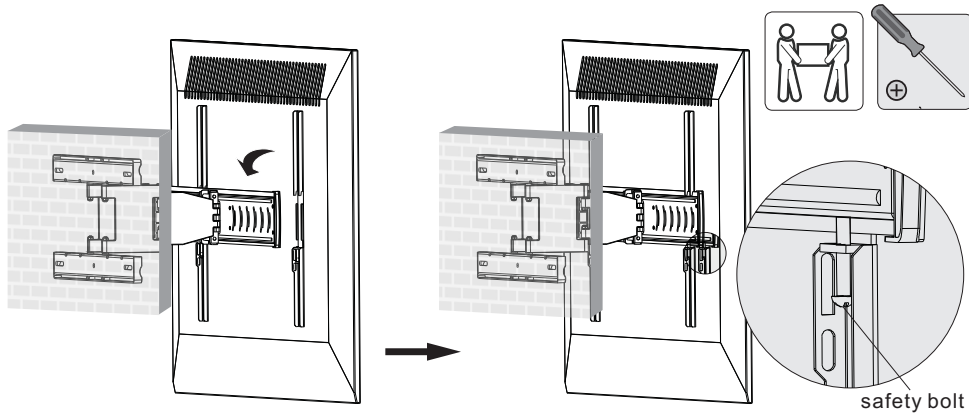


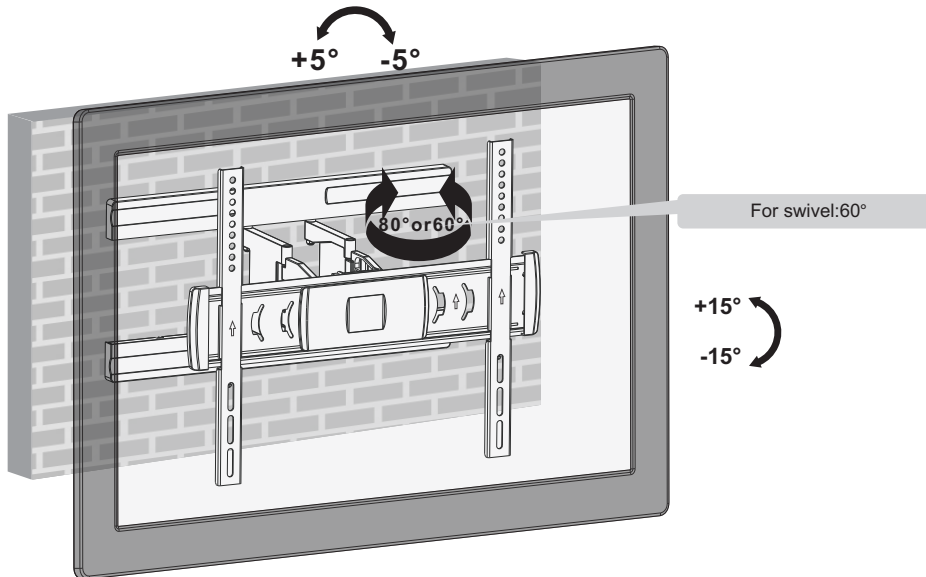
# Full Motion LED, LCD TV Wall Mount

## 5. Hanging the Display onto the Wall Plate



Tighten the bottom bolts to secure the display brackets to the mount.

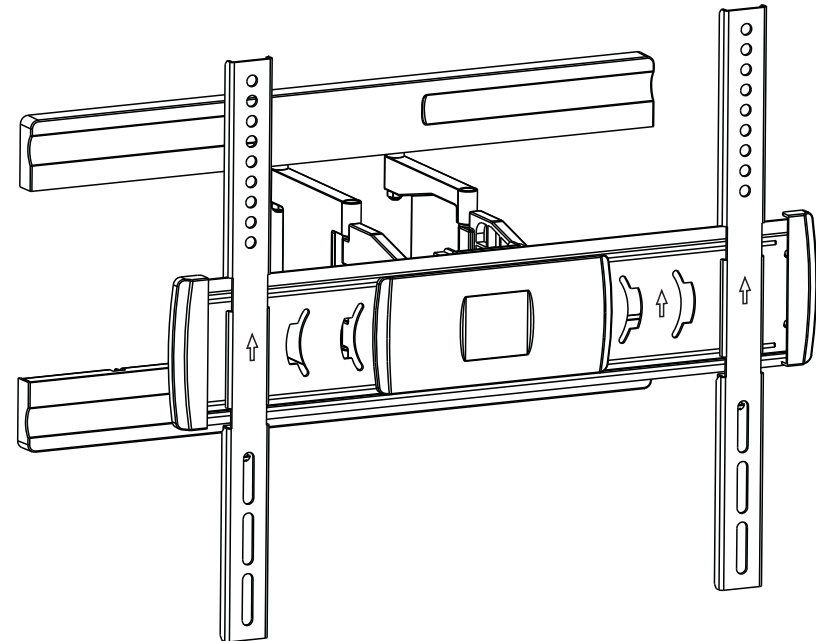
## 6. Adjustment



Adjust to desired position or tilt.

### Maintenance

- Check that the bracket is secure and safe to use at regular intervals (at least every three months).
- Please contact your distributor if you have any questions.



**CAUTION:** DO NOT EXCEED RATED LISTED WEIGHT. SERIOUS INJURY OR PROPERTY DAMAGE MAY OCCUR!



400x200/300x300  
400x400/600x400



70"  
MAX



30kg  
(66lbs)  
RATED

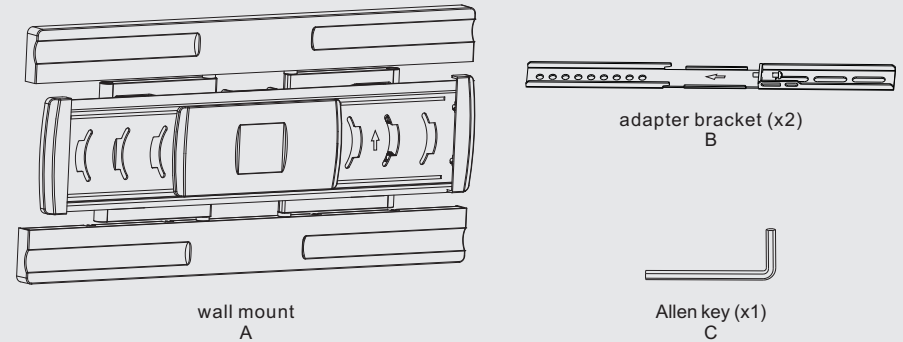
**NOTE:** Read the entire instruction manual before you start installation and assembly.

## WARNING

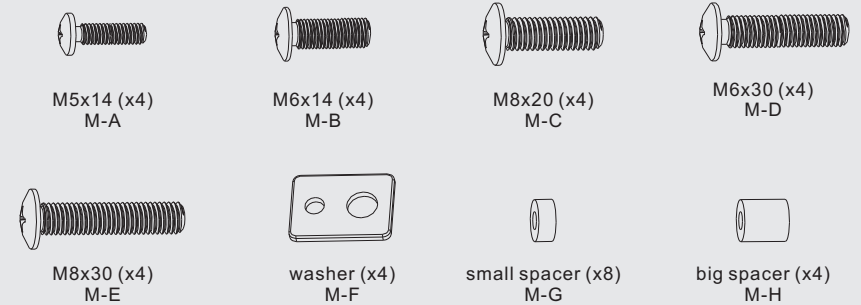
- Do not begin the installation until you have read and understood all the instructions and warnings contained in this installation sheet. If you have any questions regarding any of the instructions or warnings, please contact your local distributor.
- This mounting bracket was designed to be installed and utilised ONLY as specified in this manual. Improper installation of this product may cause damage or serious injury.
- This product should only be installed by someone with good mechanical ability who has basic building experience and fully understands this manual.
- Make sure that the supporting surface will safely support the combined weight of the equipment and all attached hardware and components.
- If mounting to wood wall studs, make sure that mounting screws are anchored into the center of the studs. The use of a stud finder is highly recommended.
- Always use an assistant or mechanical lifting equipment to safely lift and position the equipment.
- Tighten screws firmly, but do not over tighten. Over tightening can cause damage to the items, This greatly reduces their holding power.
- This product is intended for indoor use only. Using this product outdoors could lead to product failure and personal injury.

## Component Checklist

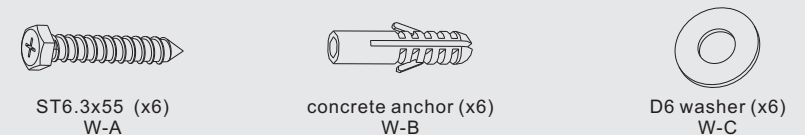
**IMPORTANT:** Ensure that you have received all parts according to the component checklist prior to installation. If any parts are missing or faulty, telephone your local distributor for a replacement.



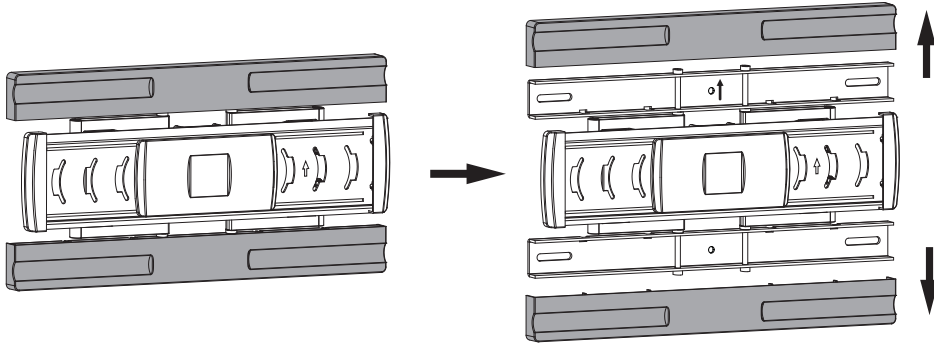
### Package M



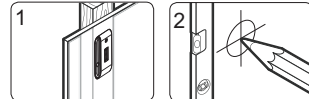
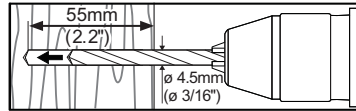
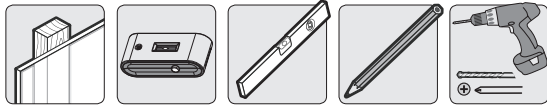
### Package W



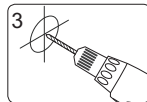
## 1. Separating the top and bottom plastic covers from the Wall Mount



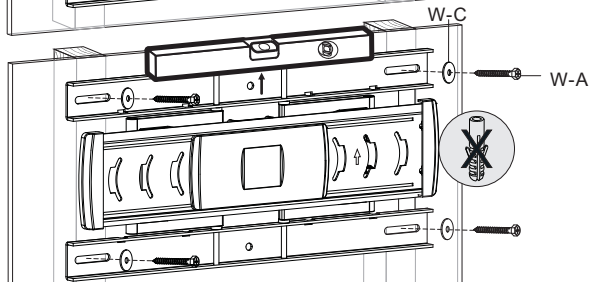
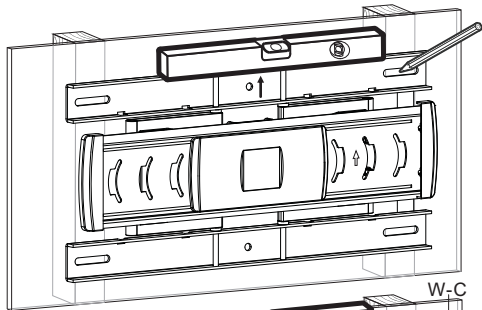
## 2a. For Wood Stud Wall Mounting



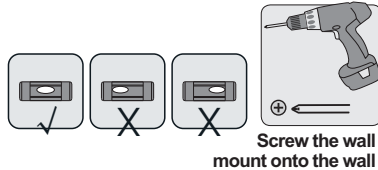
Find and mark the exact location of mounting holes



Drill pilot holes



With the arrow pointing upward



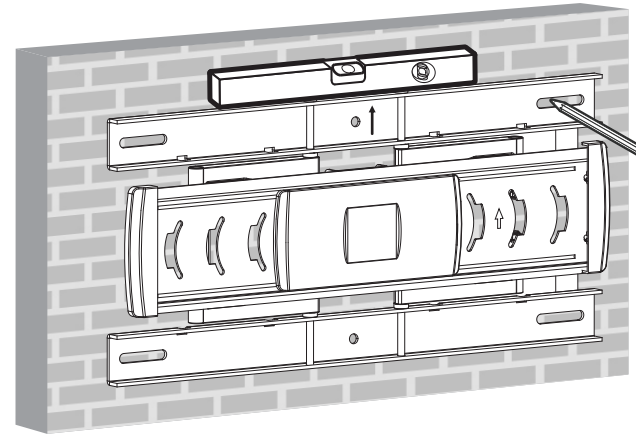
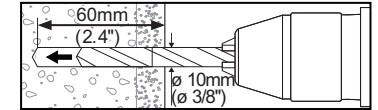
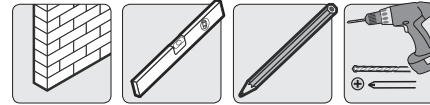
Screw the wall mount onto the wall

Model	Stud 406mm (16")	450mm (17.7")	600mm (23.6")	610mm (24")
LPA16-244AX	✓	✓	X	X
LPA16-444AX	✓	✓	X	X
LPA16-464AX	✓	✓	X	X

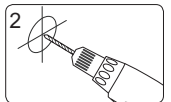
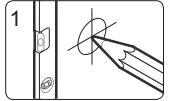
### ⚠ WARNING

- Make sure that mounting screws are anchored into the center of the studs. The use of a stud finder is highly recommended.
- Installers are responsible to provide hardware for other types of mounting situations.
- Installers must verify that the supporting surface will safely support the combined weight of the equipment and all attached hardware and components.

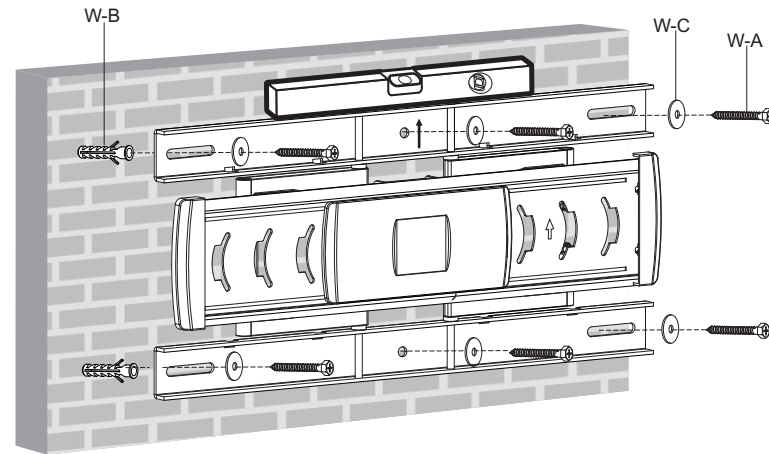
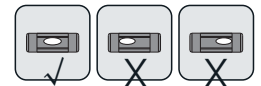
## 2b. For Solid Brick and Concrete Mounting



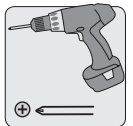
Mark the exact location of mounting holes



Drill pilot holes



With the arrow pointing upward

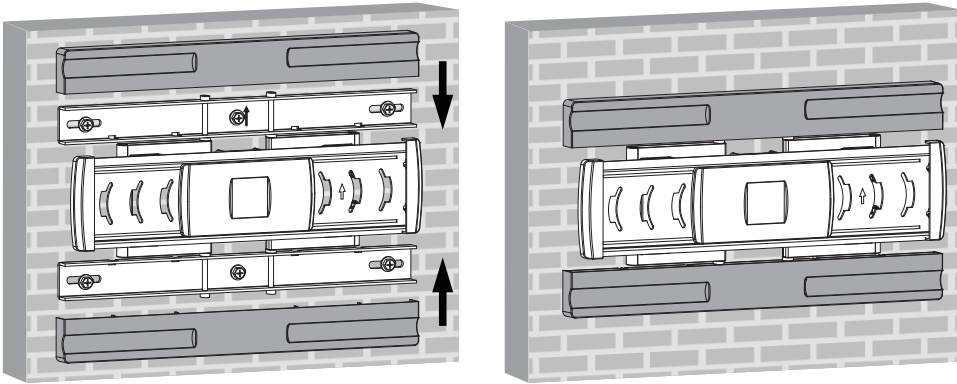


Screw the wall mount onto the wall

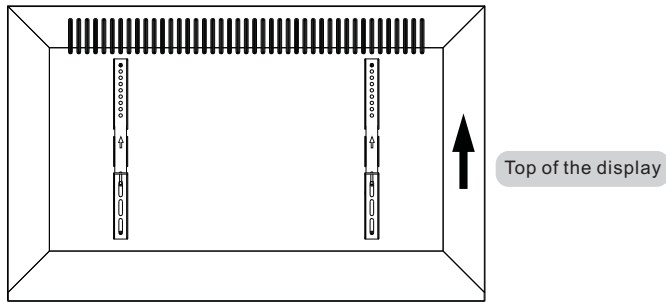
### ⚠ WARNING

- Installers must verify that the supporting surface will safely support the combined weight of the equipment and all attached hardware and components.

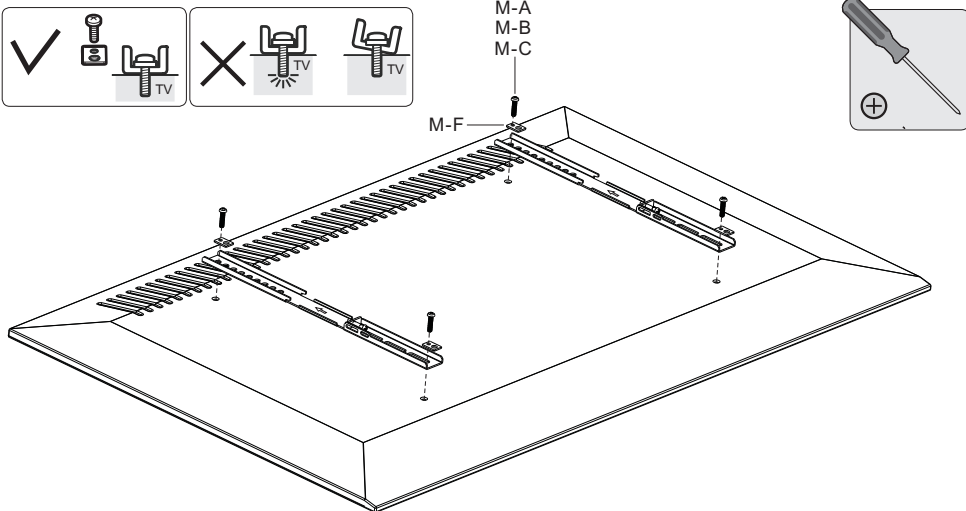
### 3. Installing the Plastic Covers



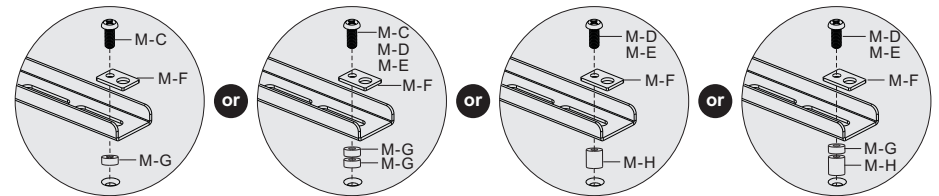
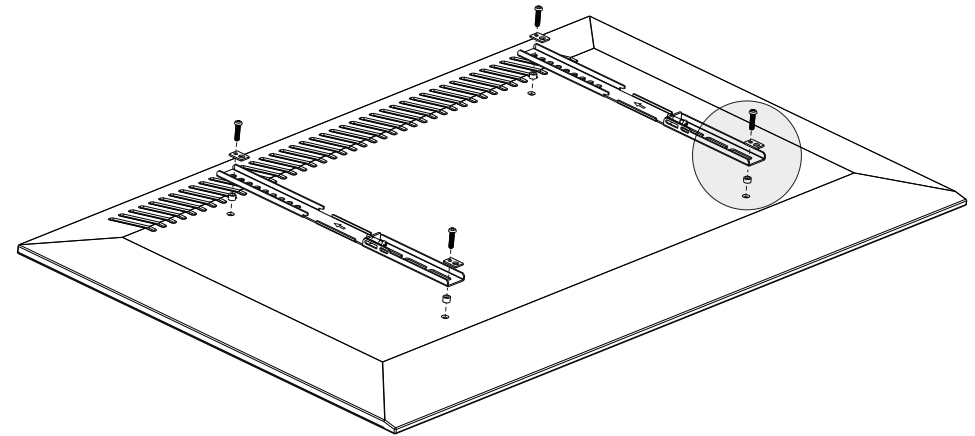
### 4. Installing the Adapter Brackets



#### 4-1 For Flat Back Screens



#### 4-2 For Recessed Back Screens or to Access A/V Inputs



**Note:** Choose the appropriate screws, washers and spacers (if necessary) according to the type of screen.  
 • Position the adapter brackets as close as possible to the center of the display.  
 • Screw the adapter brackets onto the display.

**⚠ Tighten all screws but do not over tighten.**