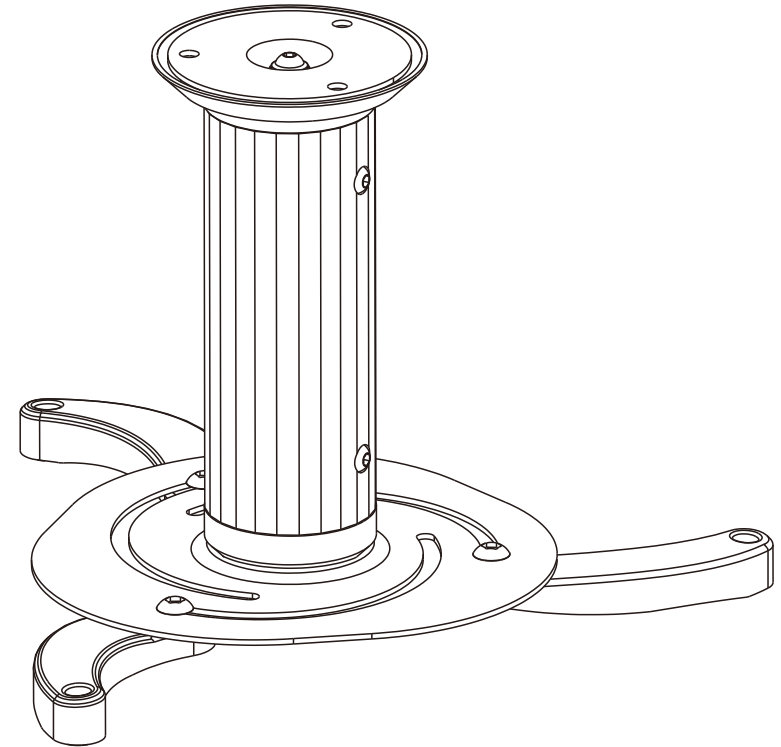


# Projector Ceiling Mount

## Maintenance

- Check that the bracket is secure and safe to use at regular intervals (at least every three months).
- Please contact your dealer if you have any questions.



**CAUTION: DO NOT EXCEED MAXIMUM LISTED WEIGHT CAPACITY. SERIOUS INJURY OR PROPERTY DAMAGE MAY OCCUR!**

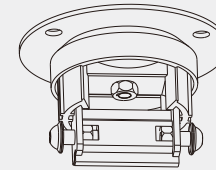
**NOTE:** Read the entire instruction manual before you start installation and assembly.

## WARNING

- Do not begin the installation until you have read and understood the instructions and warnings contained in this installation sheet. If you have any questions regarding any of the instruction or warning, please contact your local distributor.
- This mounting bracket was designed to be installed and utilized **ONLY** as specified in this manual. Improper installation of this product may cause damage or serious injury.
- This product should only be installed by someone of good mechanical ability, with basic building experiences and fully understanding of this manual.
- Make sure that the supporting surface will safely support the combined load of the equipment and all attached hardware and components.
- Always use an assistant or mechanical lifting equipment to safely lift and position equipment.
- Tighten screws firmly, but do not over tighten. Over tightening can damage the items, greatly reducing their holding power.
- This product intended for indoor use only. Using this product outdoors could lead to product failure and personal injury.

## Component Checklist

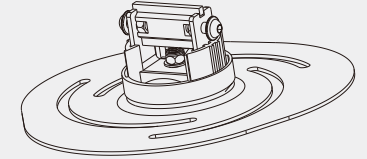
**IMPORTANT:** Ensure that you have received all parts according to the component checklist prior to installing. If any parts are missing or faulty, telephone your local distributor for a replacement.



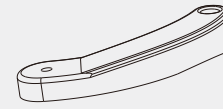
ceiling plate (x1)  
A



decorative cover (x1)  
B



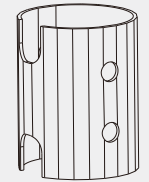
projector plate (x1)  
C



mounting leg (x3)  
D

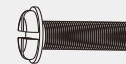


15cm extension pipe (x1)  
E

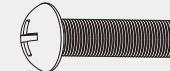


8cm extension pipe (x1)  
F

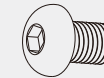
### Package M



M4x14 (x4)  
M-A



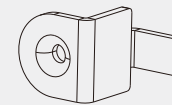
M5x20 (x3)  
M-B



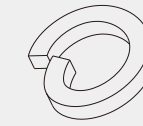
M6x12 (x3)  
M-C



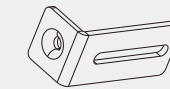
4mm Allen key (x1)  
M-D



adjustable part (x3)  
M-E



M6 washer (x3)  
M-F

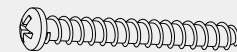


adjustable part (x2)  
M-G

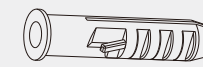


spacer (x6)  
M-H

### Package W



ST6.3x50 (x3)  
W-A

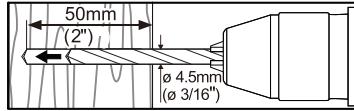


concrete anchor (x3)  
W-B

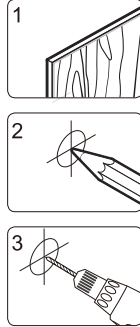


D6 washer (x6)  
W-C

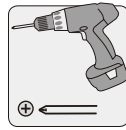
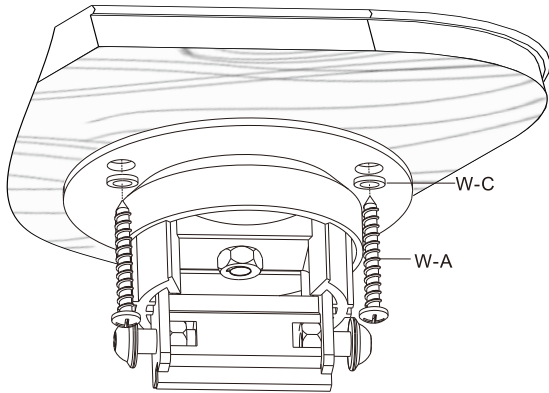
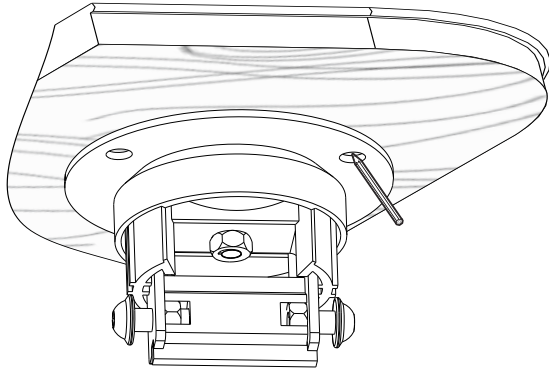
## 1a. Wood Ceiling Mounting:



Find and mark the exact location of mounting holes



Drill three pilot holes

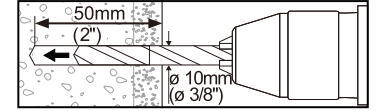
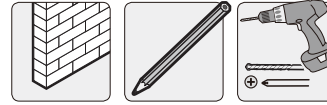


Screw the ceiling plate onto the ceiling

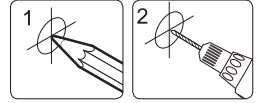
### ⚠ WARNING

- Make sure that mounting screws are anchored into the center of the studs. Use of a stud finder is highly recommended.
- Installers are responsible to provide hardware for other types of mounting situations.
- Installers must verify that the supporting surface will safely support the combined load of the equipment and all attached hardware and components.

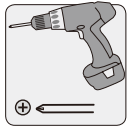
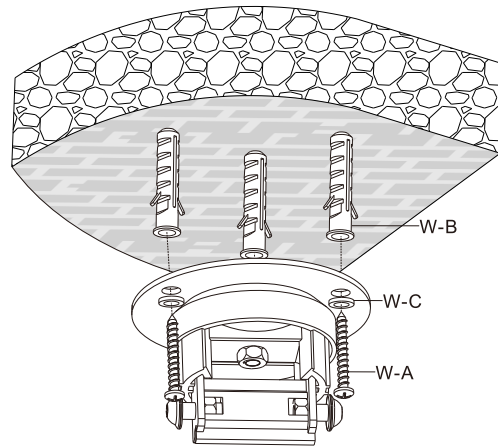
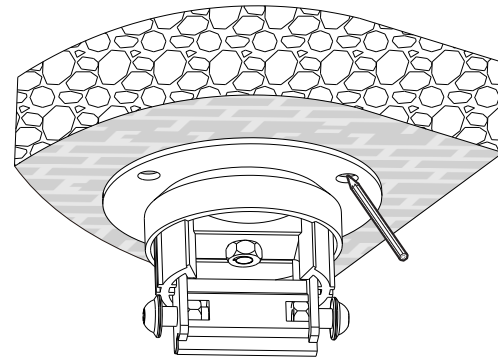
## 1b. Solid Brick and Concrete Block Mounting:



Mark the exact location of mounting holes



Drill three pilot holes

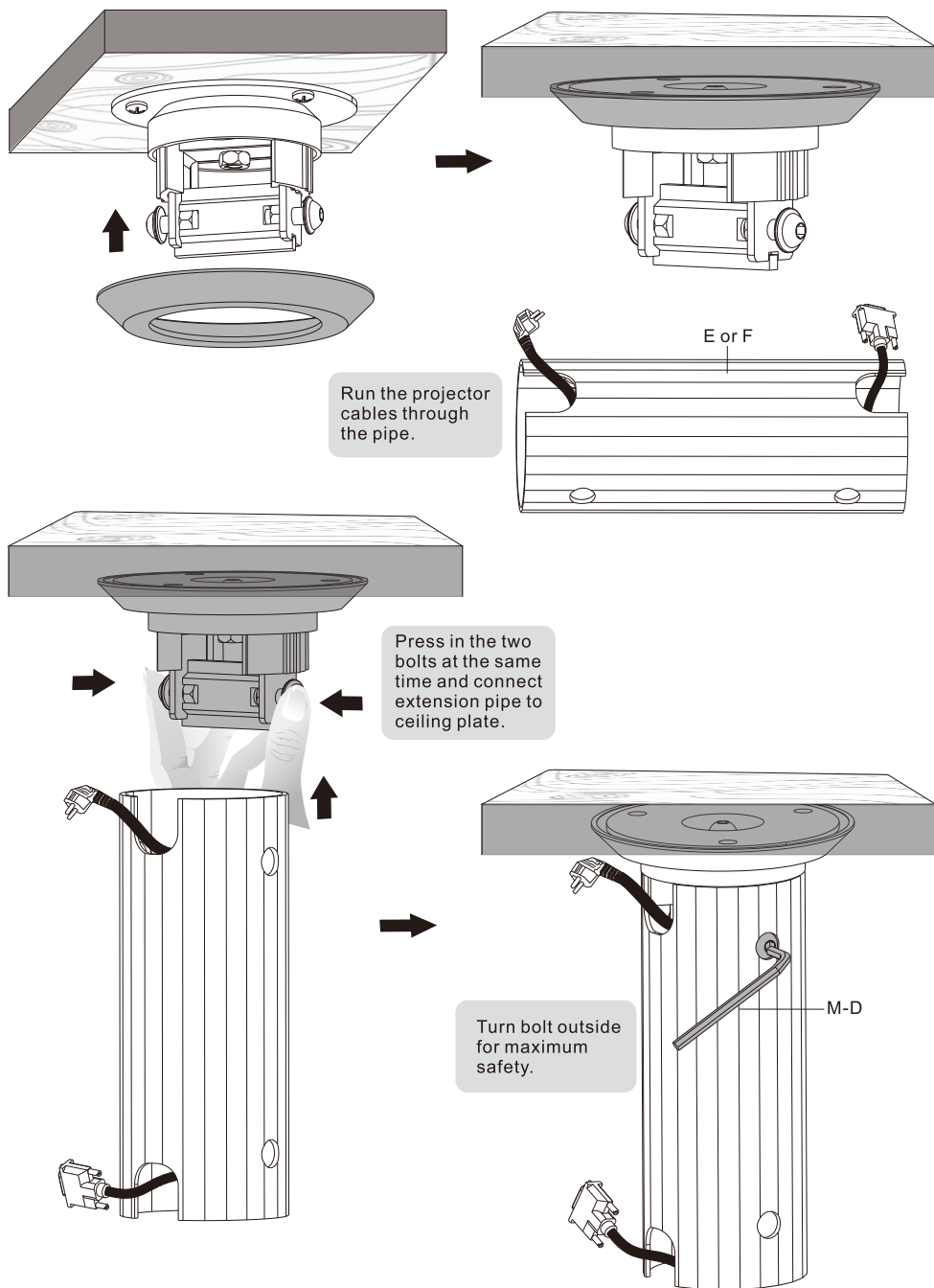


Screw the ceiling plate onto the ceiling

### ⚠ WARNING

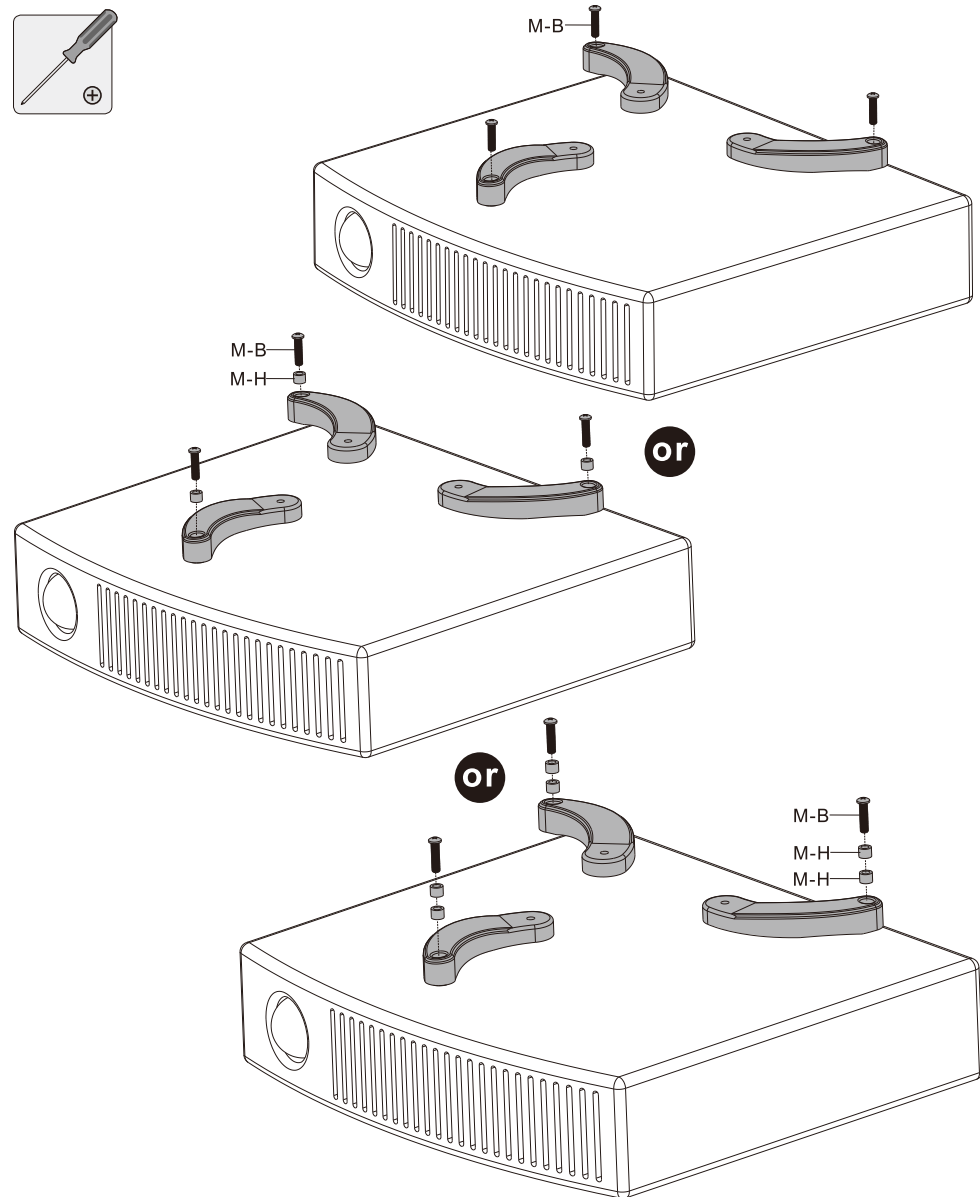
- When installing ceiling mounts on cinder block, verify the actual concrete thickness is at least 1-3/8" (35mm) for using the concrete anchors. Do not drill into mortar joints! Be sure to mount in a solid part of the block, generally 1" (25mm) minimum from the side of the block. It is suggested electric drill on slow setting is used to drill the hole instead of a hammer drill to avoid breaking out the back of the hole when entering a void or cavity.
- Installers must verify that the supporting surface will safely support the combined load of the equipment and all attached hardware and components.

## 2. Installing Decorative Cover and Extension Pipe



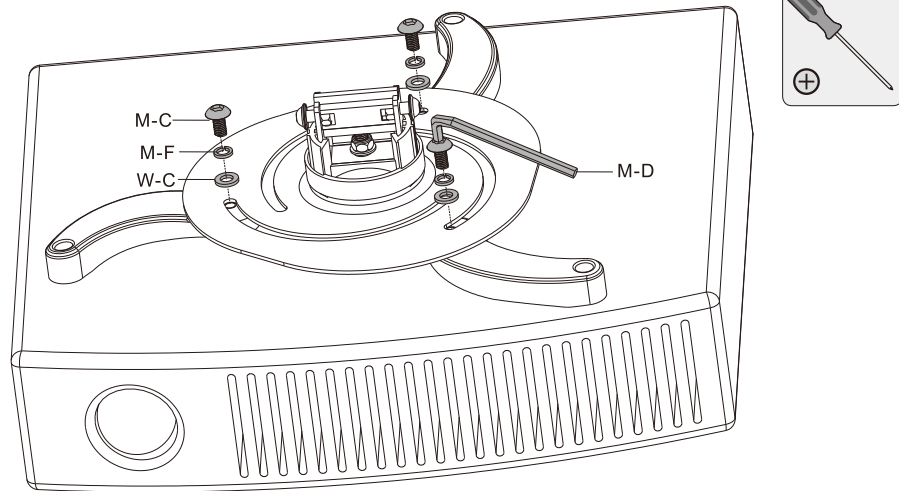
## 3. Attaching Mounting Legs and the Projector Plate

### 3a. common mounting

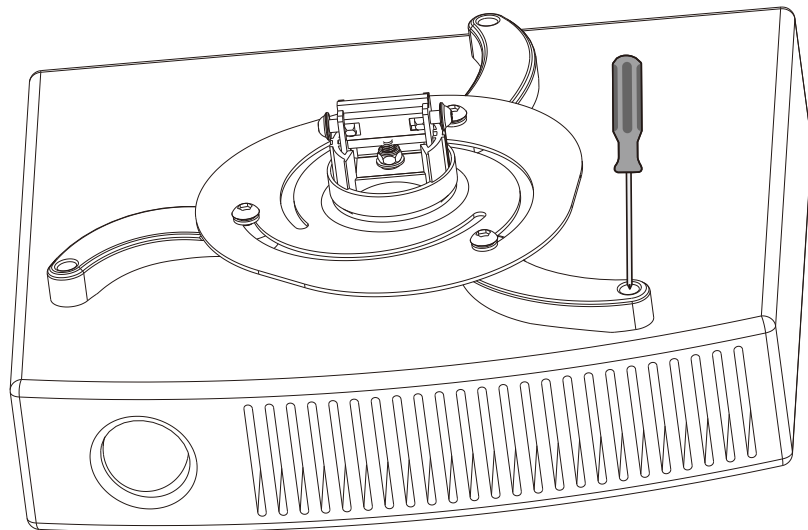


Locate the projector's mounting points.  
Screw mounting legs onto the projector.

**⚠ DO NOT TIGHTEN ALL SCREWS AT THIS TIME.**



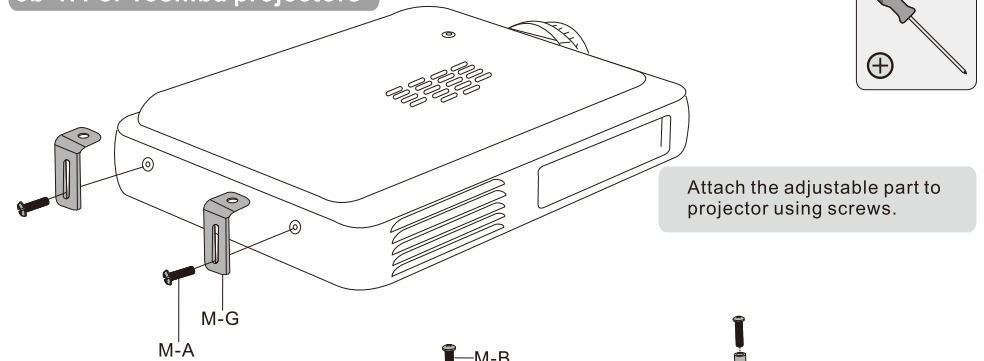
Place the projector plate on the mounting legs, as close as to projector center of gravity as possible. Slightly adjust the arms to fit slots pattern on the projector plate. And then use screws and washers to fix the projector plate.



Tighten the all mounting screws which secure the mounting legs to the projector at this time.

### 3b. for Toshiba projectors

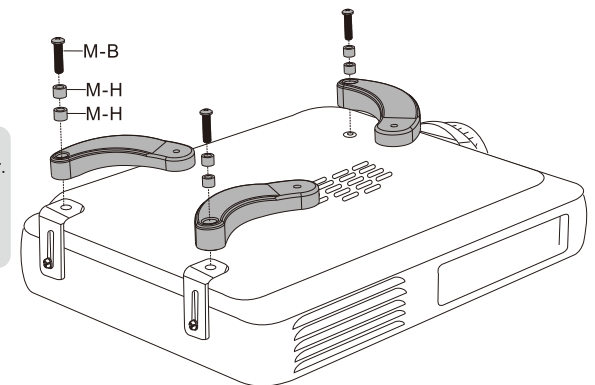
#### 3b-1. For Toshiba projectors



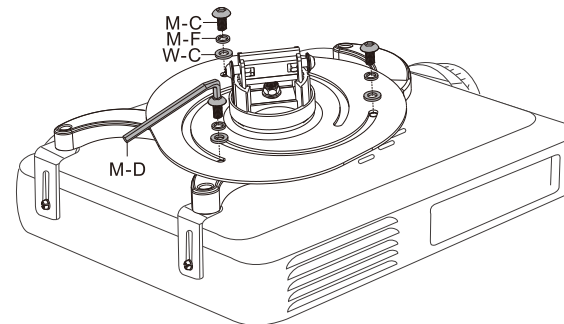
Attach the adjustable part to projector using screws.

Locate the projector's mounting points. Screw mounting legs onto the projector.

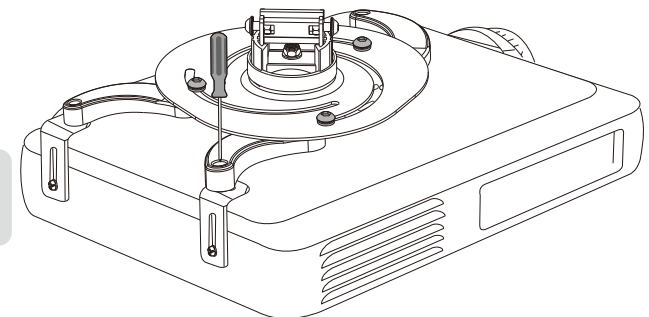
**⚠ DO NOT TIGHTEN ALL SCREWS AT THIS TIME.**



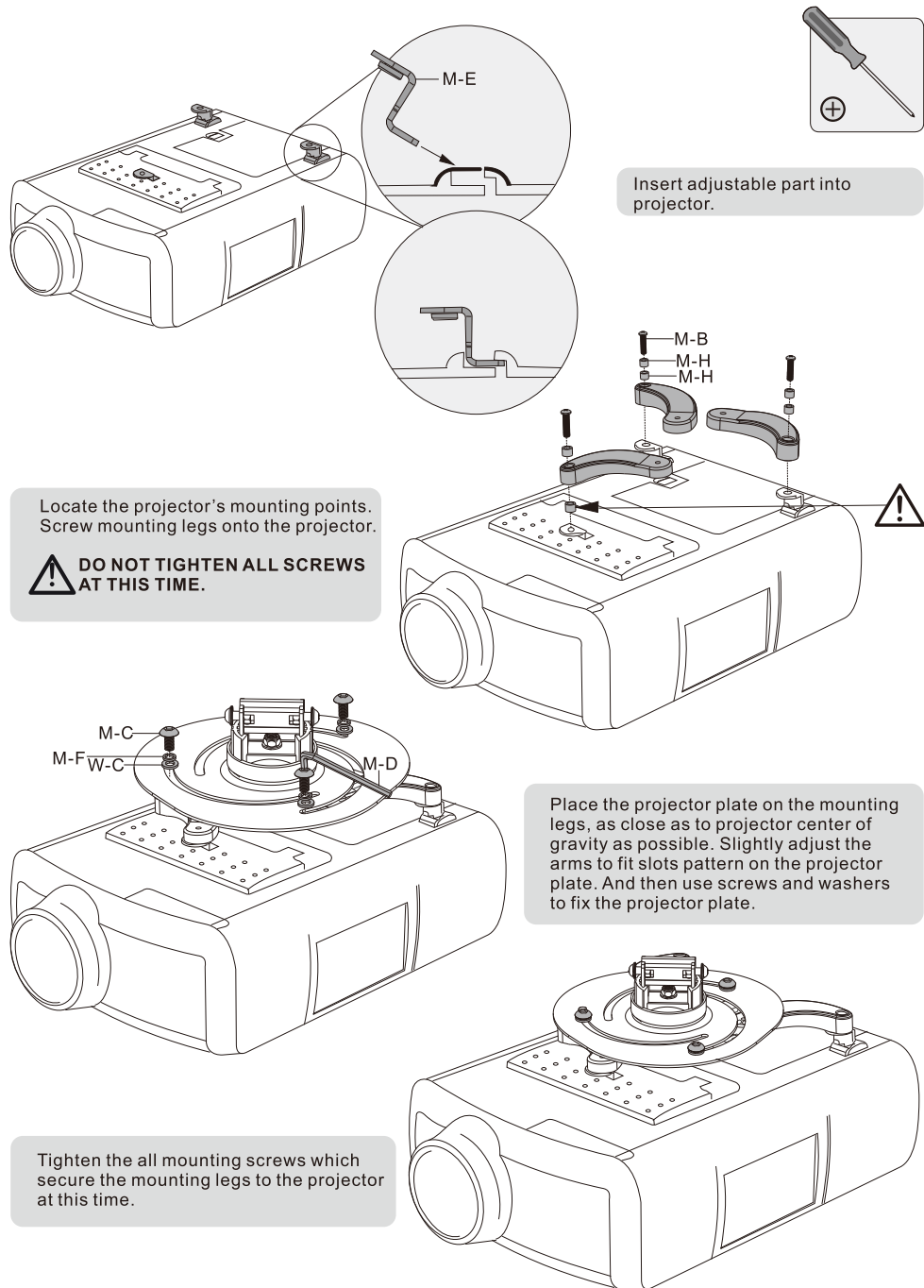
Place the projector plate on the mounting legs, as close as to projector center of gravity as possible. Slightly adjust the arms to fit slots pattern on the projector plate. And then use screws and washers to fix the projector plate.



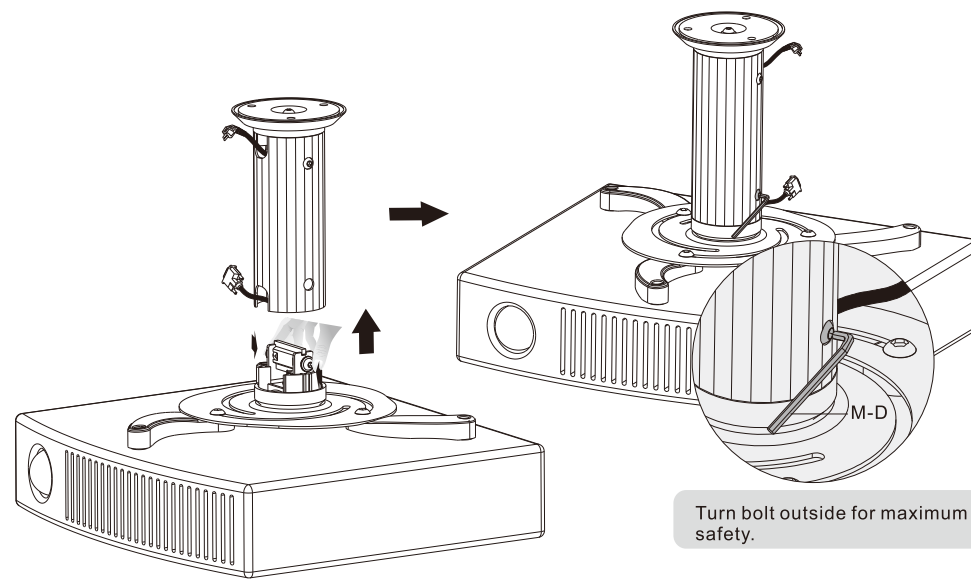
Tighten the all mounting screws which secure the mounting legs to the projector at this time.



### 3b-2. for Philips projectors

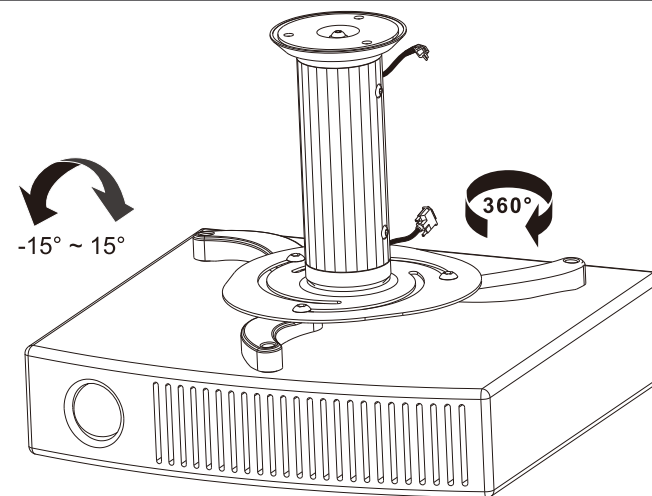


### 4. Hang the Projector onto the Ceiling Mount



Press in the two bolts at the same time and connect projector plate to pipe.  
**Important:** Make sure the projector is correctly hooked before releasing the projector.

### 5. Adjustment



Adjust to desired location or tilt.