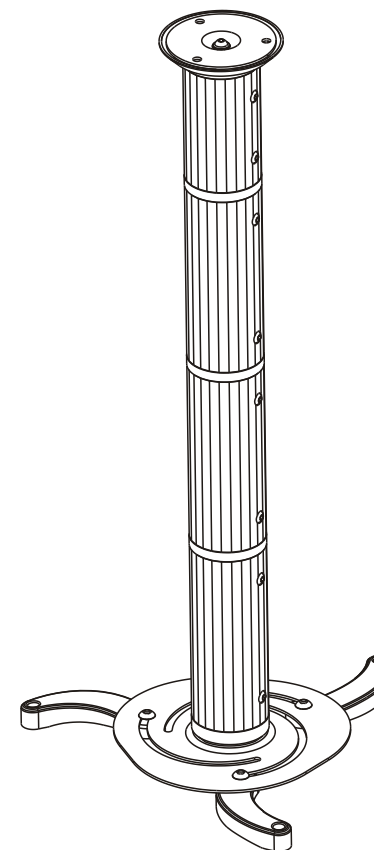




Projector Ceiling Mount

Maintenance

- Check that the bracket is secure and safe to use at regular intervals(at least every three months).
- Please contact your dealer if you have any questions.



CAUTION: DO NOT EXCEED RATED LISTED WEIGHT CAPACITY. SERIOUS INJURY OR PROPERTY DAMAGE MAY OCCUR!

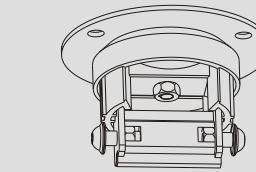
NOTE: Read the entire instruction manual before you start installation and assembly.

⚠ WARNING

- Do not begin the installation until you have read and understood the instructions and warnings contained in this installation sheet. If you have any question regarding any of the instructions or warnings, please contact your local distributor.
- This mounting bracket was designed to be installed and utilised **ONLY** as specified in this manual. Improper installation of this product may cause damage or serious injury.
- This product should only be installed by someone with good mechanical ability who has basic building experience and fully understands this manual.
- Make sure that the supporting surface will safely support the combined weight of the equipment and all attached hardware and components.
- Always use an assistant or mechanical lifting equipment to safely lift and position the equipment.
- Tighten screws firmly, but do not over tighten. Over tightening can cause damage to the items, This greatly reduces their holding power.
- This product is intended for indoor use only. Using this product outdoors could lead to product failure and personal injury.

Component Checklist

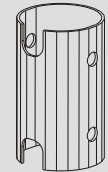
IMPORTANT: Ensure that you have received all parts according to the component checklist prior to installation. If any parts are missing or faulty, telephone your local distributor for a replacement.



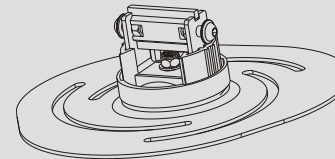
ceiling plate (x1)
A



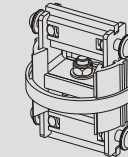
decorative cover (x1)
C



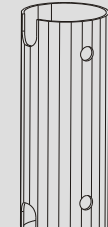
top pipe (x1)
F



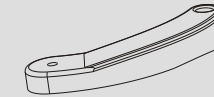
projector plate (x1)
B



pivot bracket (x3)
D

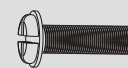


extension pipe (x3)
G

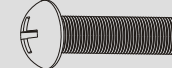


mounting leg (x3)
E

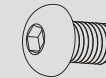
Package M



M4x14 (x4)
M-A



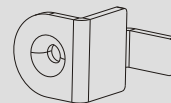
M5x20 (x3)
M-B



M6x12 (x3)
M-C



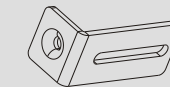
Allen key (x1)
M-D



adjustable part (x3)
M-E



M6 washer (x3)
M-F



adjustable part (x2)
M-G

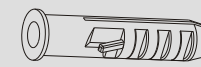


spacer (x6)
M-H

Package W



ST6.3x50 (x3)
W-A

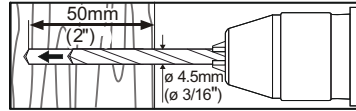


concrete anchor (x3)
W-B

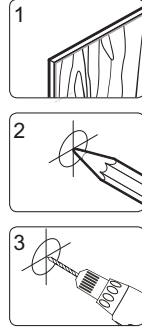


D6 washer (x6)
W-C

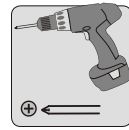
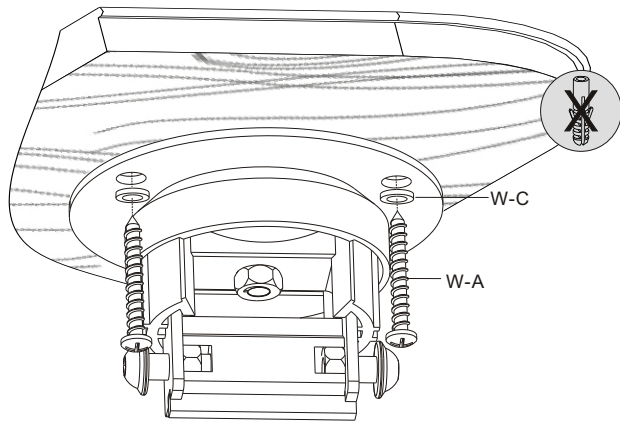
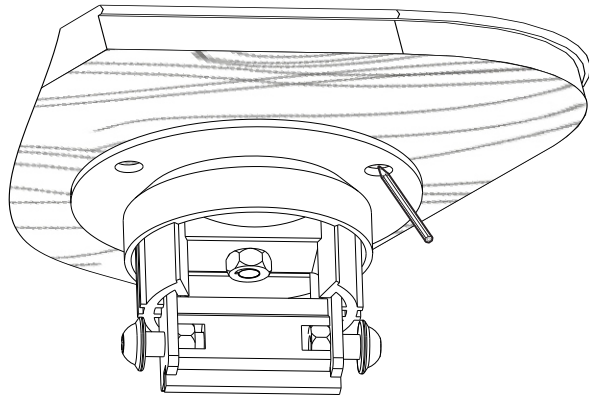
1a. Wood Ceiling Mounting



Find and mark the exact location of mounting holes



Drill three pilot holes

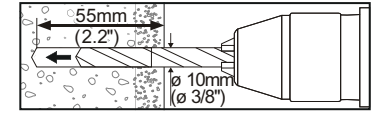
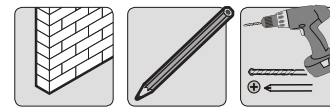


Screw the ceiling plate onto the ceiling

⚠ WARNING

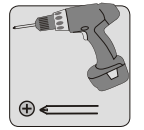
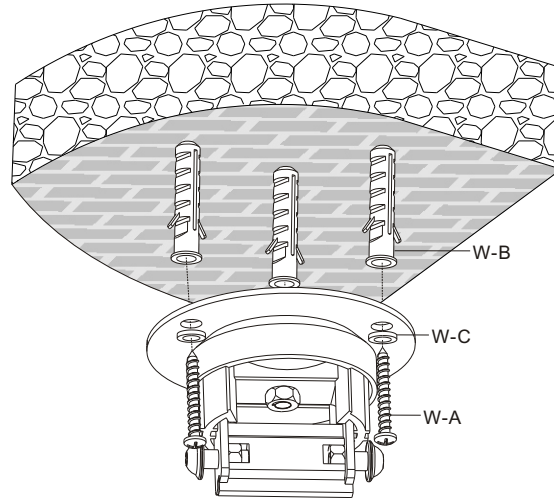
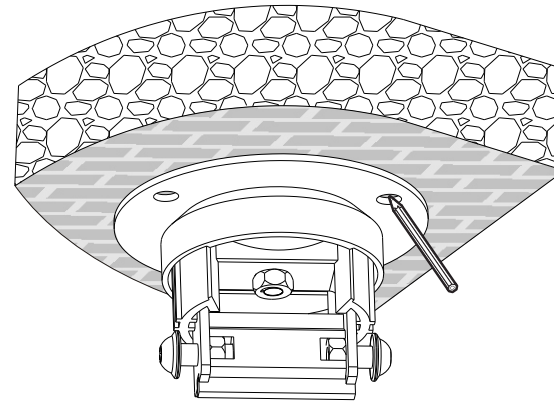
- Installers are responsible to provide hardware for other types of mounting situations.
- Installers must verify that the supporting surface will safely support the combined weight of the equipment and all attached hardware and components.

1b. Solid Brick and Concrete Mounting



Mark the exact location of mounting holes

Drill three pilot holes

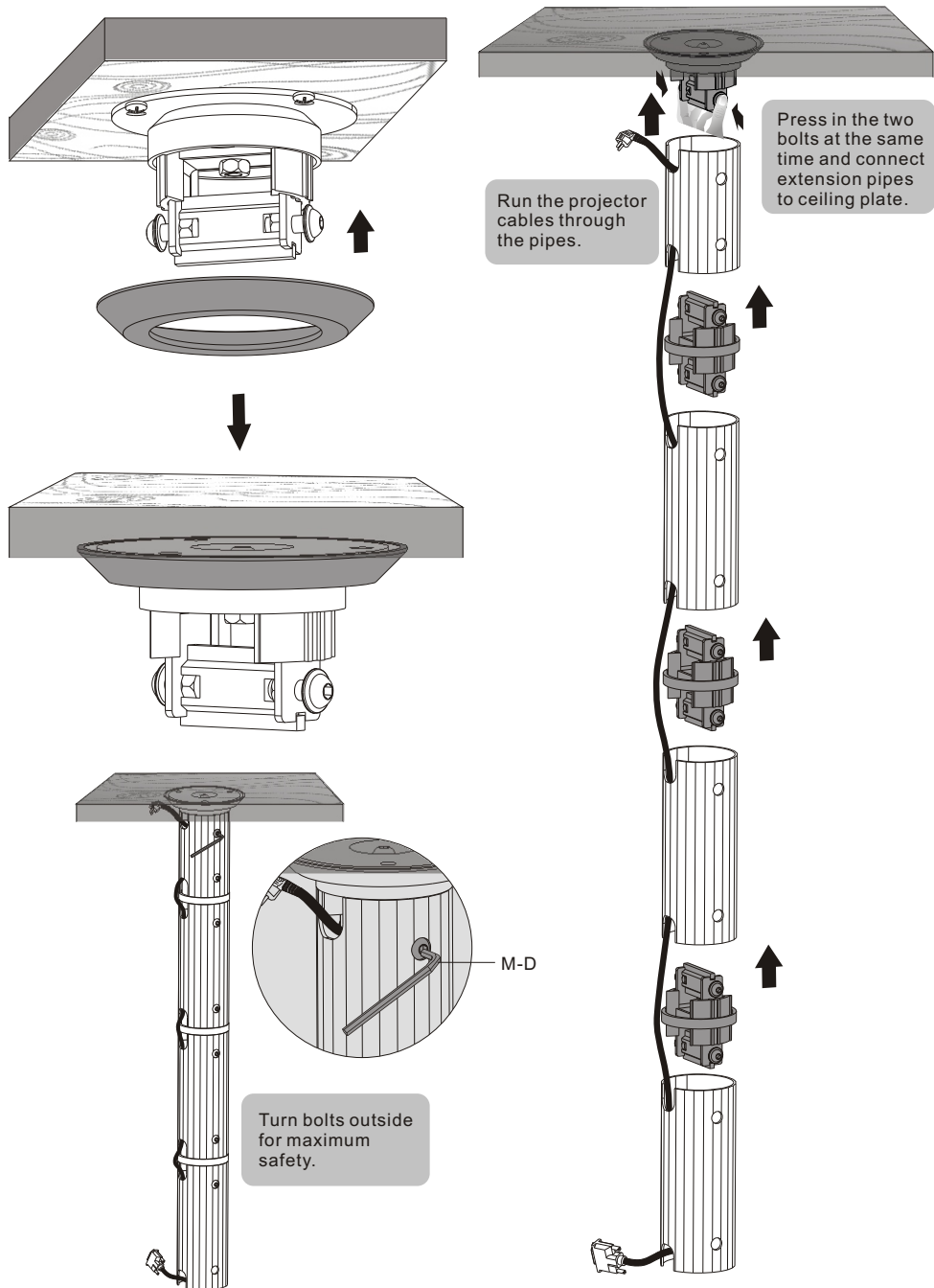


Screw the ceiling plate onto the ceiling

⚠ WARNING

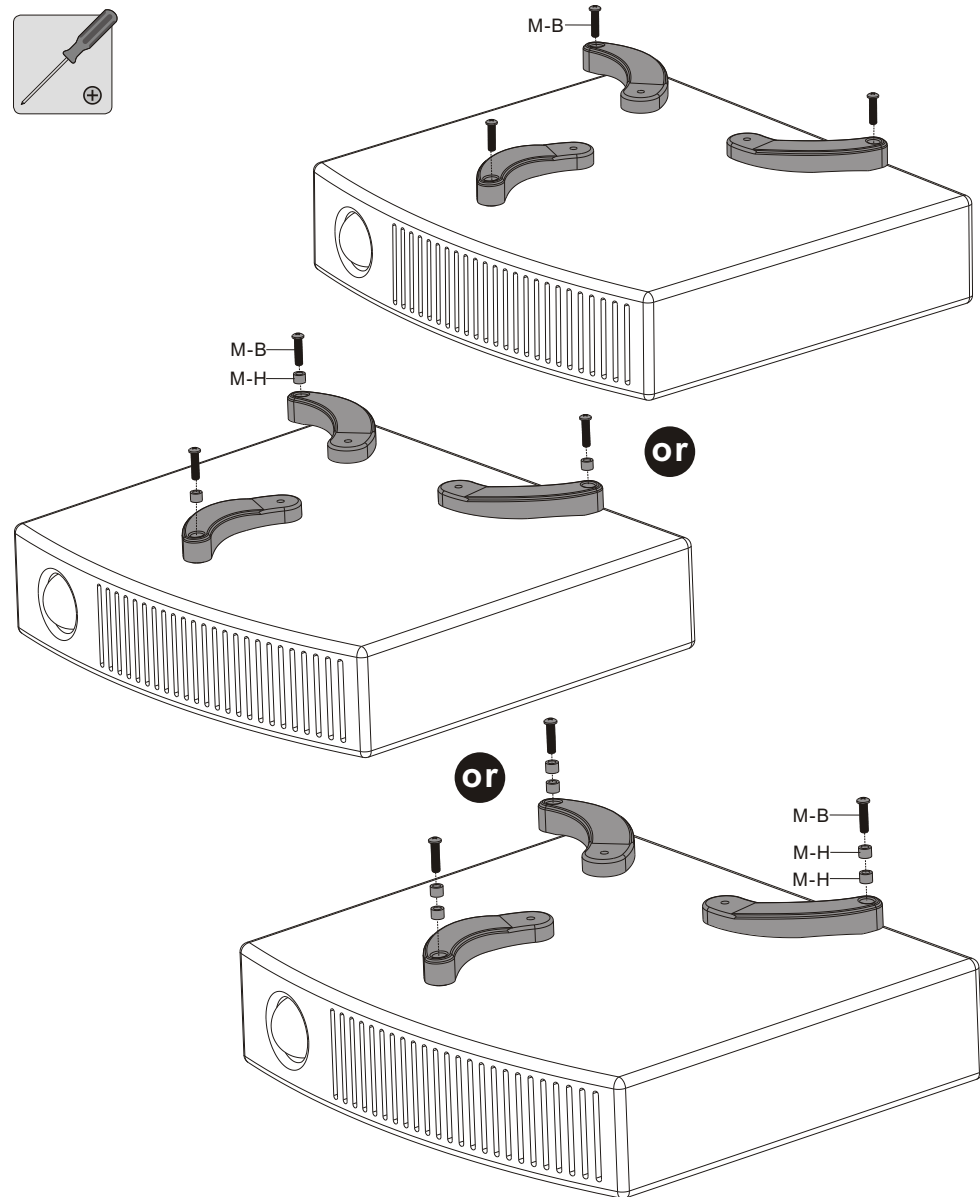
Installers must verify that the supporting surface will safely support the combined weight of the equipment and all attached hardware and components.

2. Installing the Decorative Cover and the Pipes



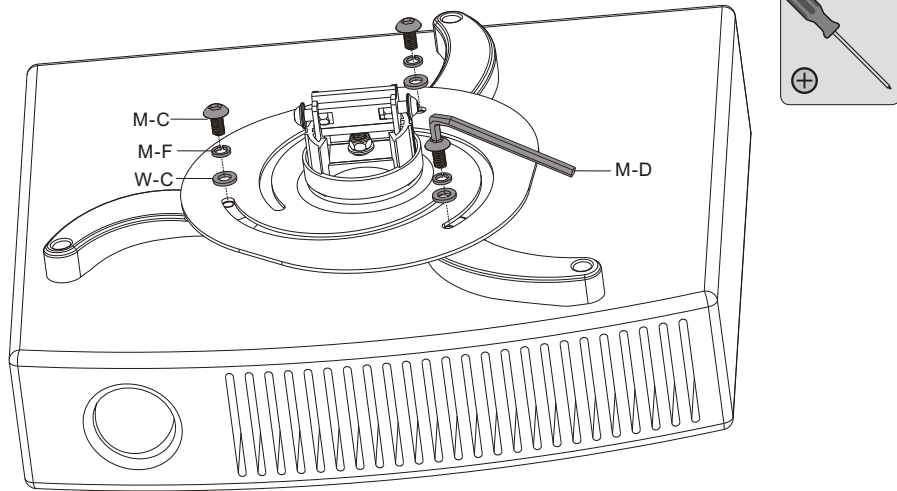
3. Attaching the Mounting Legs and the Projector Plate

3a. common mounting

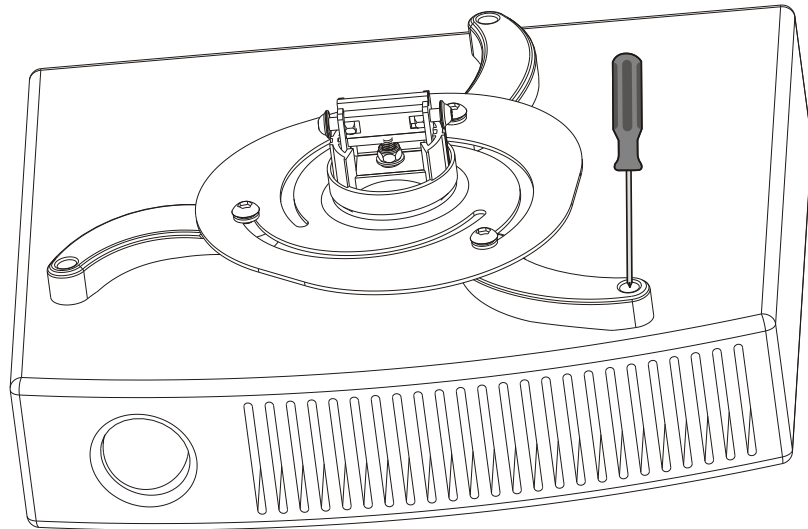


Locate the projector's mounting points.
Screw the mounting legs onto the projector.

⚠ DO NOT TIGHTEN ALL SCREWS AT THIS TIME.



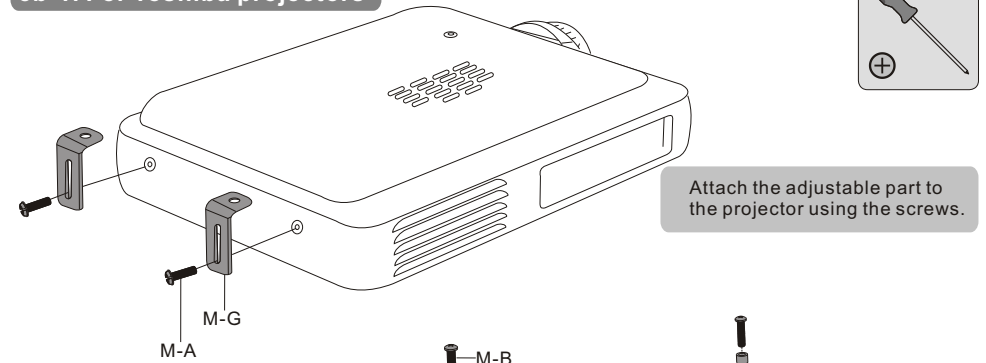
Place the projector plate on the mounting legs, as close as to projector center of gravity as possible. Slightly adjust the arms to fit slots pattern on the projector plate. And then use the screws and washers to fix the projector plate.



Tighten the all mounting screws which secure the mounting legs to the projector at this time.

3b. for Toshiba projectors

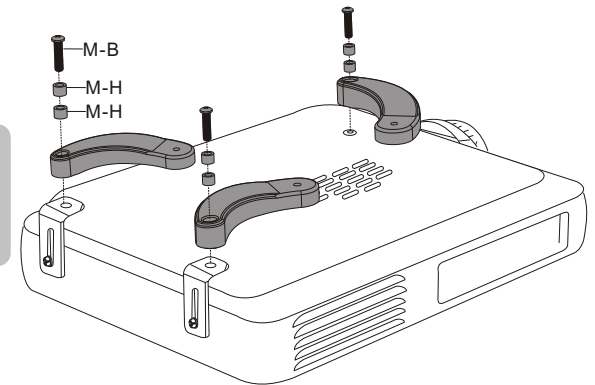
3b-1. For Toshiba projectors



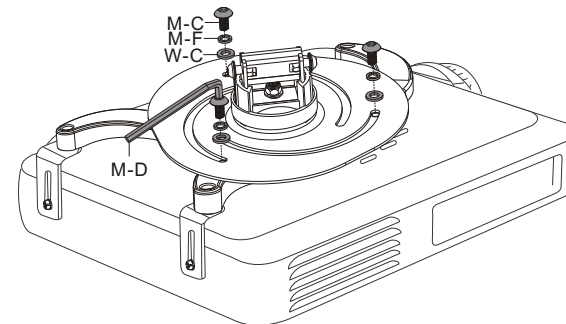
Attach the adjustable part to the projector using the screws.

Locate the projector's mounting points. Screw the mounting legs onto the projector.

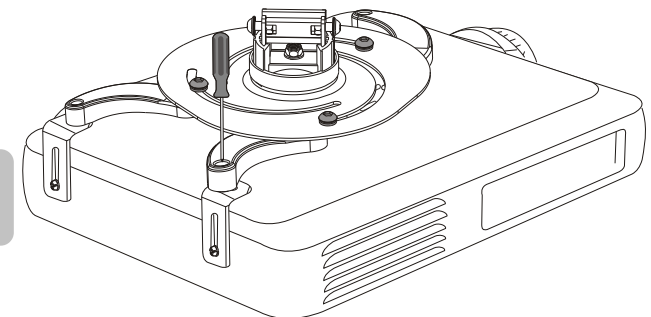
⚠ DO NOT TIGHTEN ALL SCREWS AT THIS TIME.



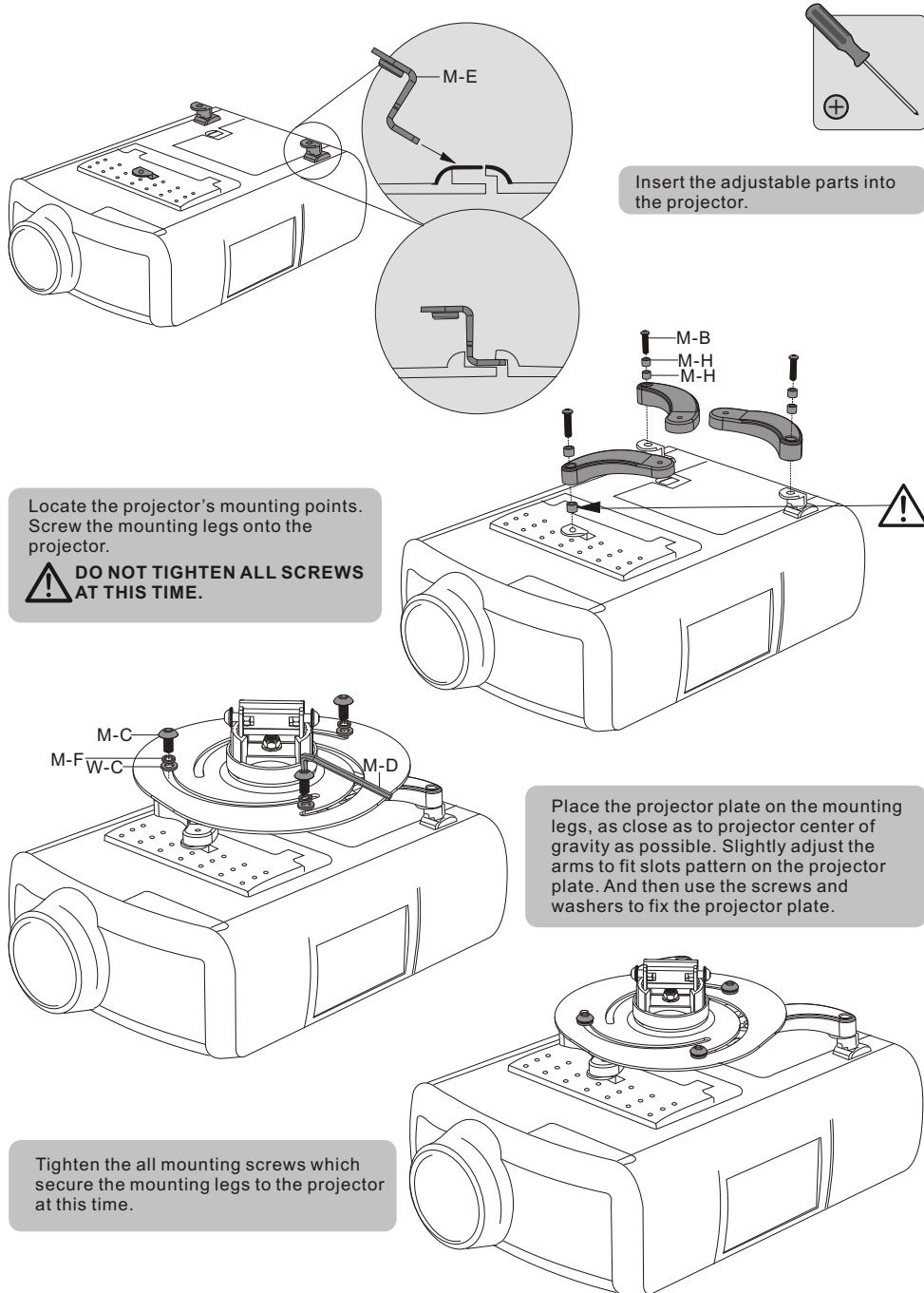
Place the projector plate on the mounting legs, as close as to projector center of gravity as possible. Slightly adjust the arms to fit slots pattern on the projector plate. And then use the screws and washers to fix the projector plate.



Tighten the all mounting screws which secure the mounting legs to the projector at this time.



3b-2. for Philips projectors



4. Hang the Projector onto the Ceiling Mount

