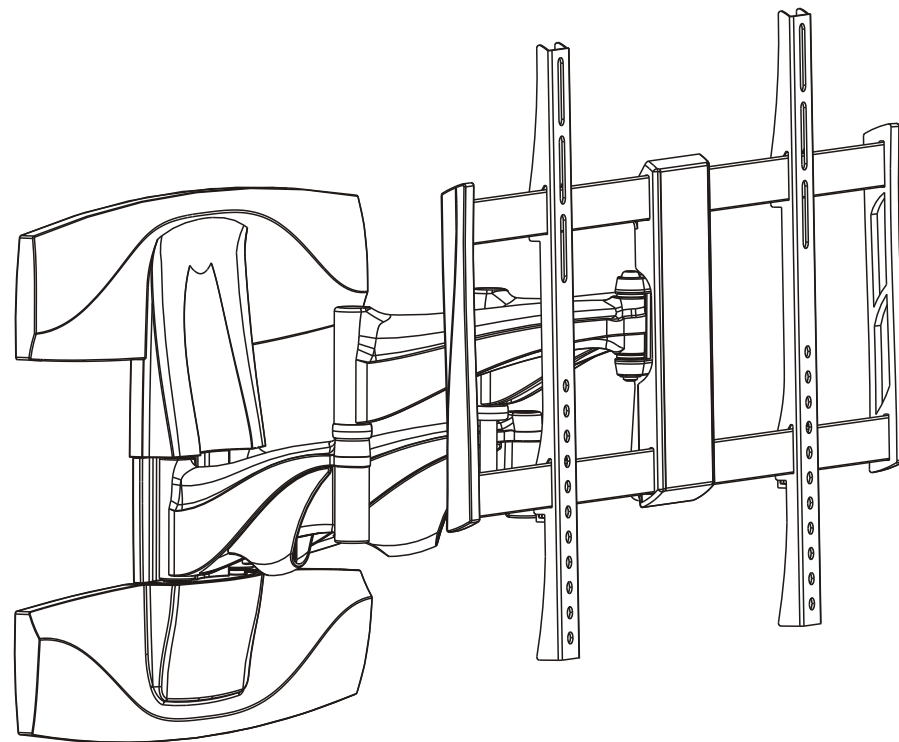
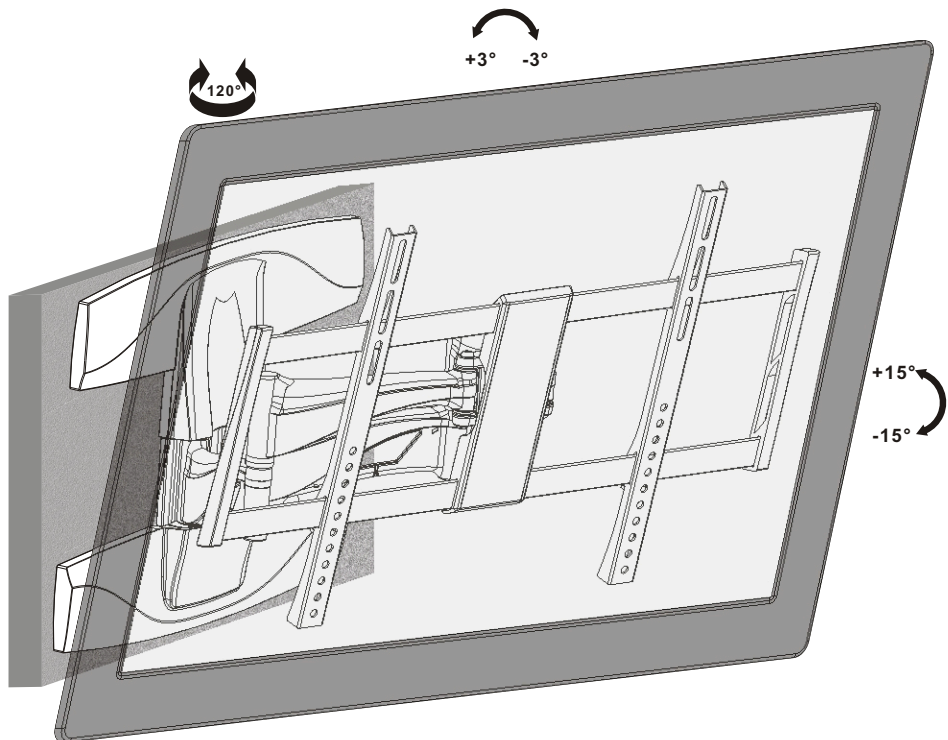


Full Motion LED,LCD TV Wall Mount



Adjust to the desired position or tilt.

Maintenance

- Check that the bracket is secure and safe to use at regular intervals(at least every three months).
- Please contact your distributor if you have any questions.



CAUTION: DO NOT EXCEED RATED LISTED WEIGHT. SERIOUS INJURY OR PROPERTY DAMAGE MAY OCCUR!

LPA19-444X



200x200/300x300
400x200/400x400

55"
MAX

LPA19-464



200x200/300x300
400x200/400x400
600x400

70"
MAX

**45kg
(99lbs)
RATED**

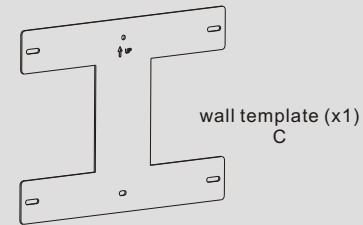
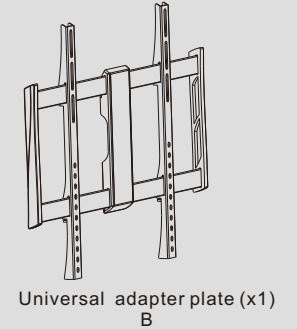
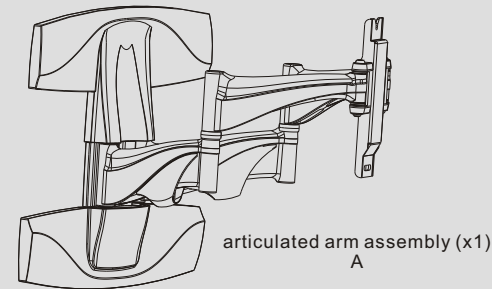
NOTE: Read the entire instruction manual before you start installation and assembly.

WARNING

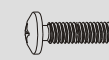
- Do not begin the installation until you have read and understood all the instructions and warnings contained in this installation sheet. If you have any questions regarding any of the instructions or warnings, please contact your local distributor.
- This mounting bracket was designed to be installed and utilised **ONLY** as specified in this manual. Improper installation of this product may cause damage or serious injury.
- This product should only be installed by someone with good mechanical ability who has basic building experience and fully understands this manual.
- Make sure that the supporting surface will safely support the combined weight of the equipment and all attached hardware and components.
- If mounting to wood wall studs, make sure that mounting screws are anchored into the center of the studs. The use of a stud finder is highly recommended.
- Always use an assistant or mechanical lifting equipment to safely lift and position the equipment.
- Tighten screws firmly, but do not over tighten. Over tightening can cause damage to the items, This greatly reduces their holding power.
- This product is intended for indoor use only. Using this product outdoors could lead to product failure and personal injury.

Component Checklist

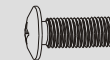
IMPORTANT: Ensure that you have received all parts according to the component checklist prior to installation. If any parts are missing or faulty, telephone your local distributor for a replacement.



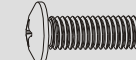
Package M



M5x14 (x4)
M-A



M6x14 (x4)
M-B



M8x20 (x4)
M-C



M6x30 (x4)
M-D



M8x30 (x4)
M-E



washer (x4)
M-F



small spacer (x8)
M-G



big spacer (x4)
M-H

Package W



ST6.3x55 (x6)
W-A

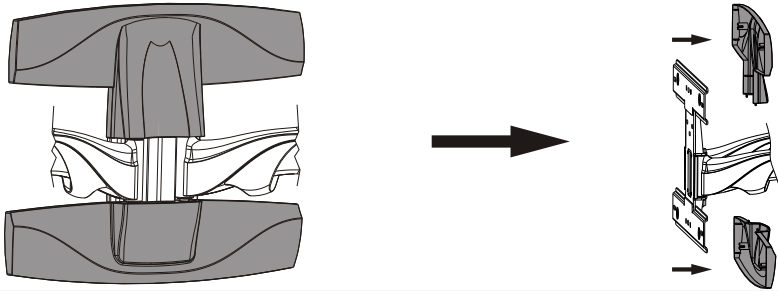


concrete anchor (x6)
W-B

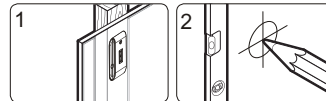
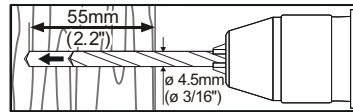
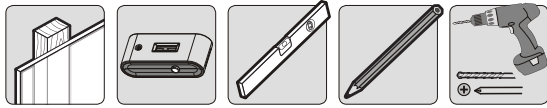


D6 washer (x6)
W-C

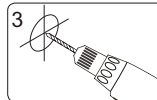
1. Removing the Decorative Covers



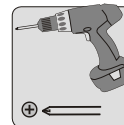
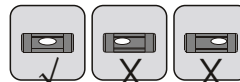
2a. For Wood Stud Wall Mounting



Find and mark the exact location of mounting holes



Drill pilot holes



Screw the wall mount onto the wall

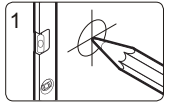
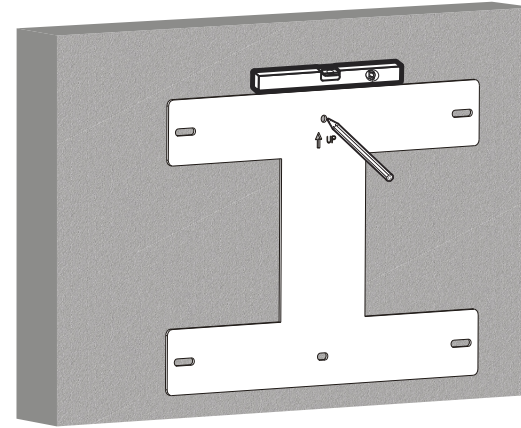
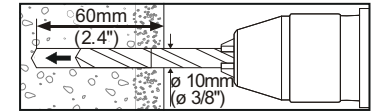
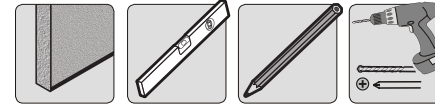
With the arrow pointing up.

Model	Stud	406mm (16")	450mm (17.7")	600mm (23.6")	610mm (24")
LPA19-444X		✓	✓	X	X
LPA19-464		✓	✓	X	X

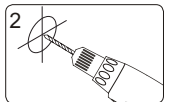
⚠ WARNING

- Make sure that mounting screws are anchored into the center of the studs. The use of a stud finder is highly recommended.
- Installers are responsible to provide hardware for other types of mounting situations.
- Installers must verify that the supporting surface will safely support the combined weight of the equipment and all attached hardware and components.

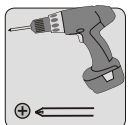
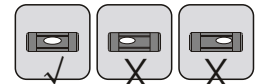
2b. For Solid Brick and Concrete Mounting



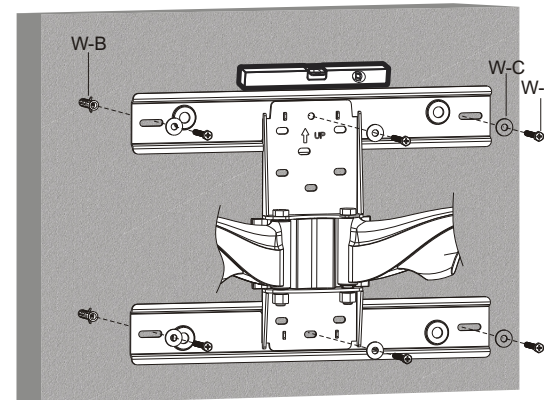
Mark the exact location of mounting holes



Drill pilot holes



Screw the wall mount onto the wall

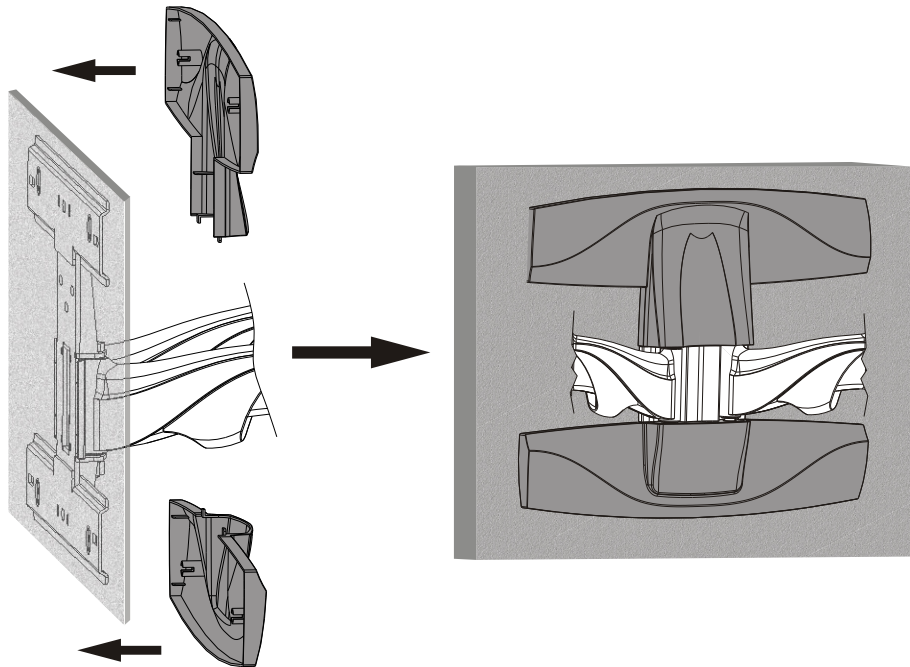


With the arrow pointing up.

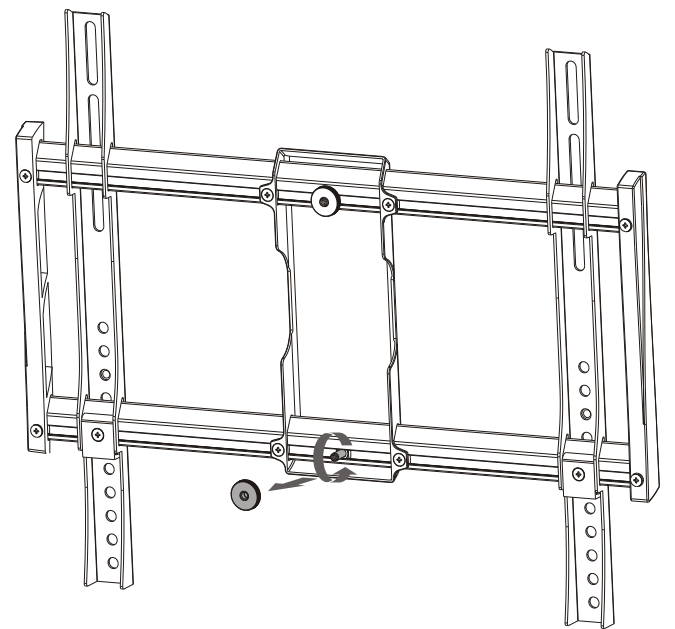
⚠ WARNING

Installers must verify that the supporting surface will safely support the combined weight of the equipment and all attached hardware and components.

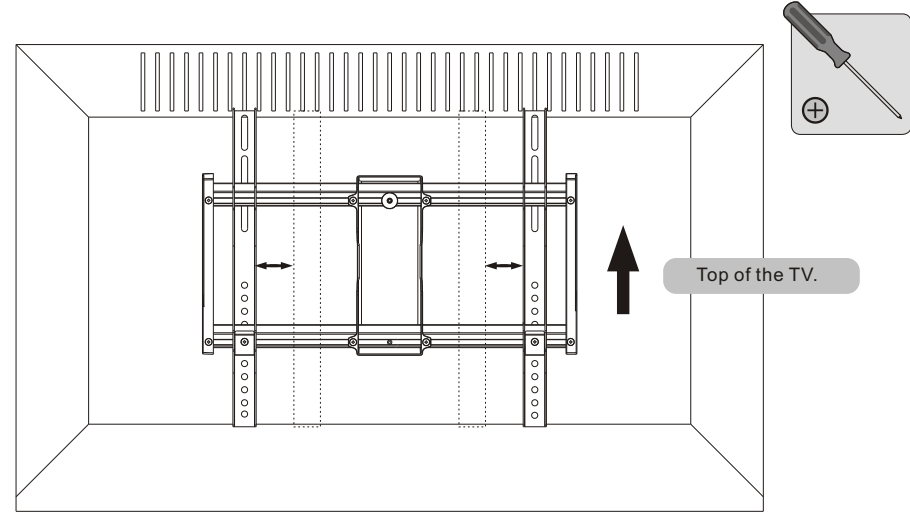
3. Installing the Decorative Covers



4. Removing the Lower Thumbscrew

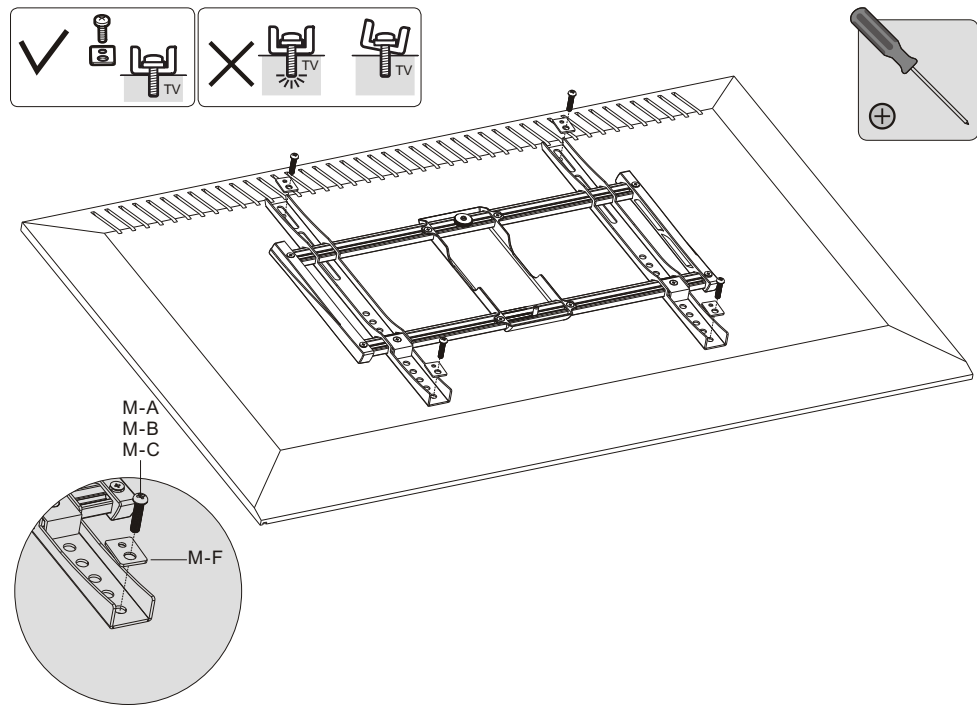
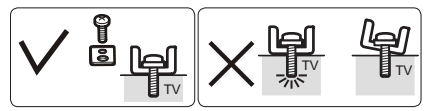


5. Installing the Universal Adapter Plate

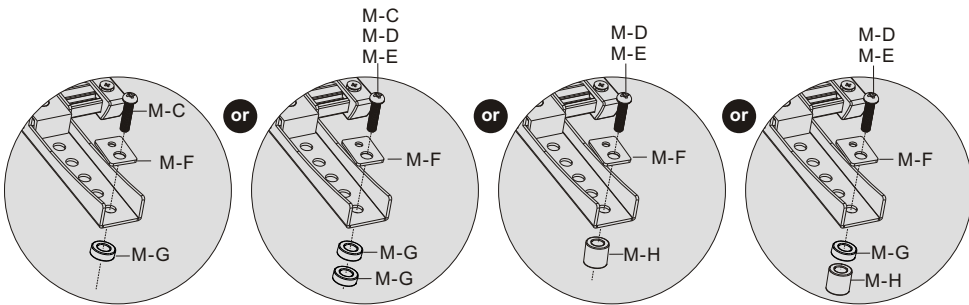
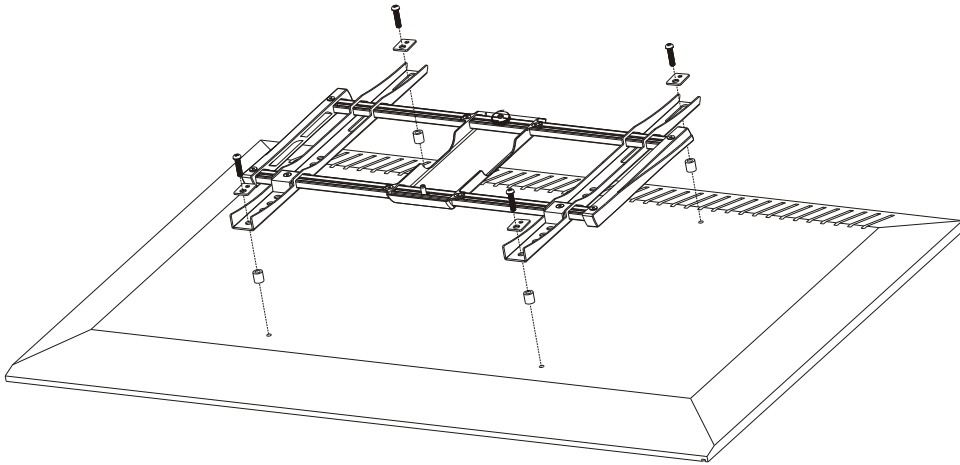
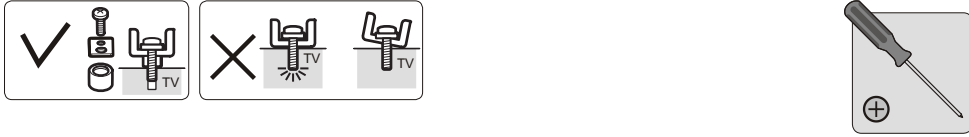


Adjust the brackets to align the mounting holes, using a philips screwdriver to tighten all screws on the brackets.

5-1 For Flat Back Screens



5-2 For Recessed Back Screens or to Access A/V Inputs

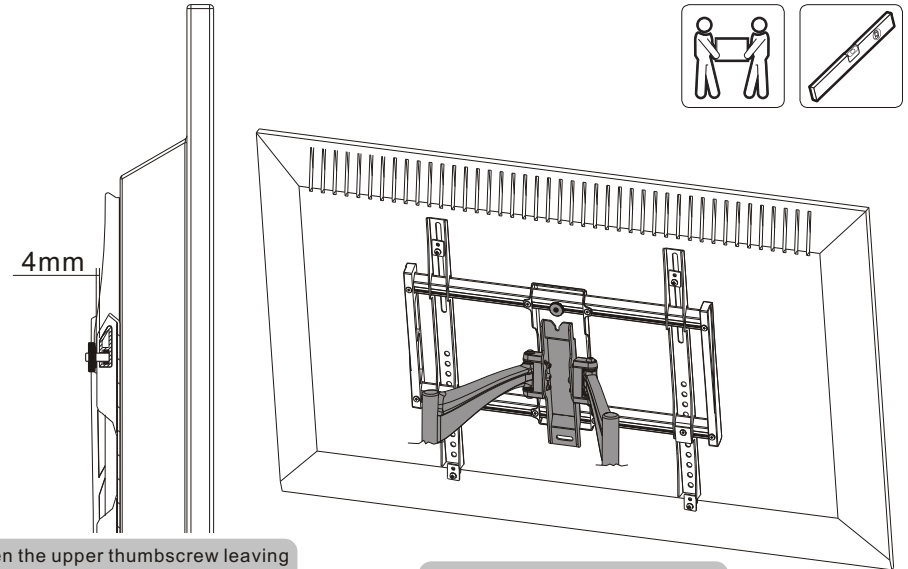


Note: Choose the appropriate screws, washers and spacers (if necessary) according to the type of screen.

- Position the universal adapter plate as close as possible to the center of the TV.
- Screw the universal adapter plate onto the TV.

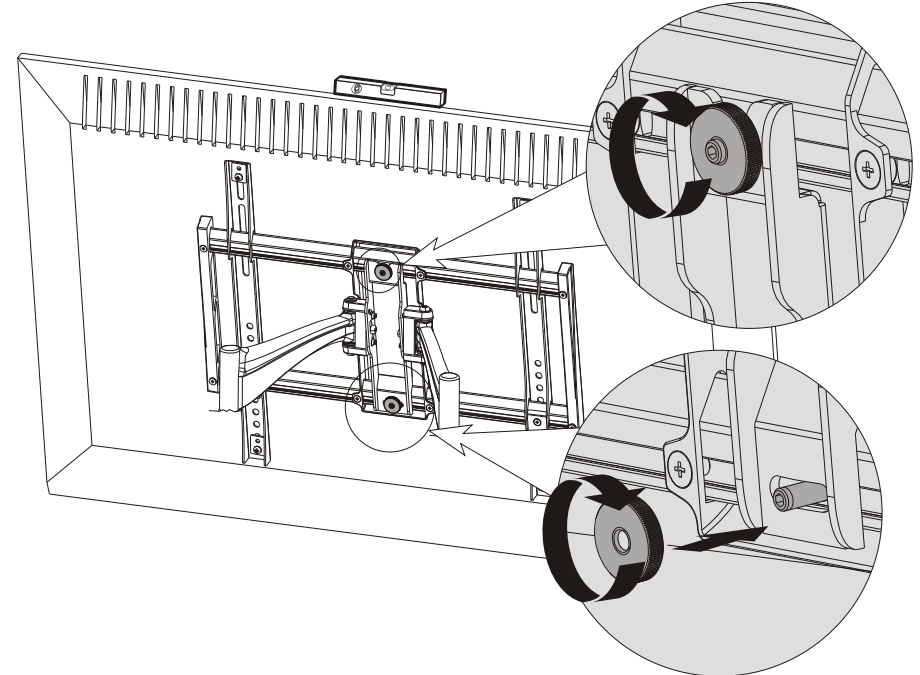
Tighten all screws but do not over tighten.

6. Hooking the TV onto the Wall Mount



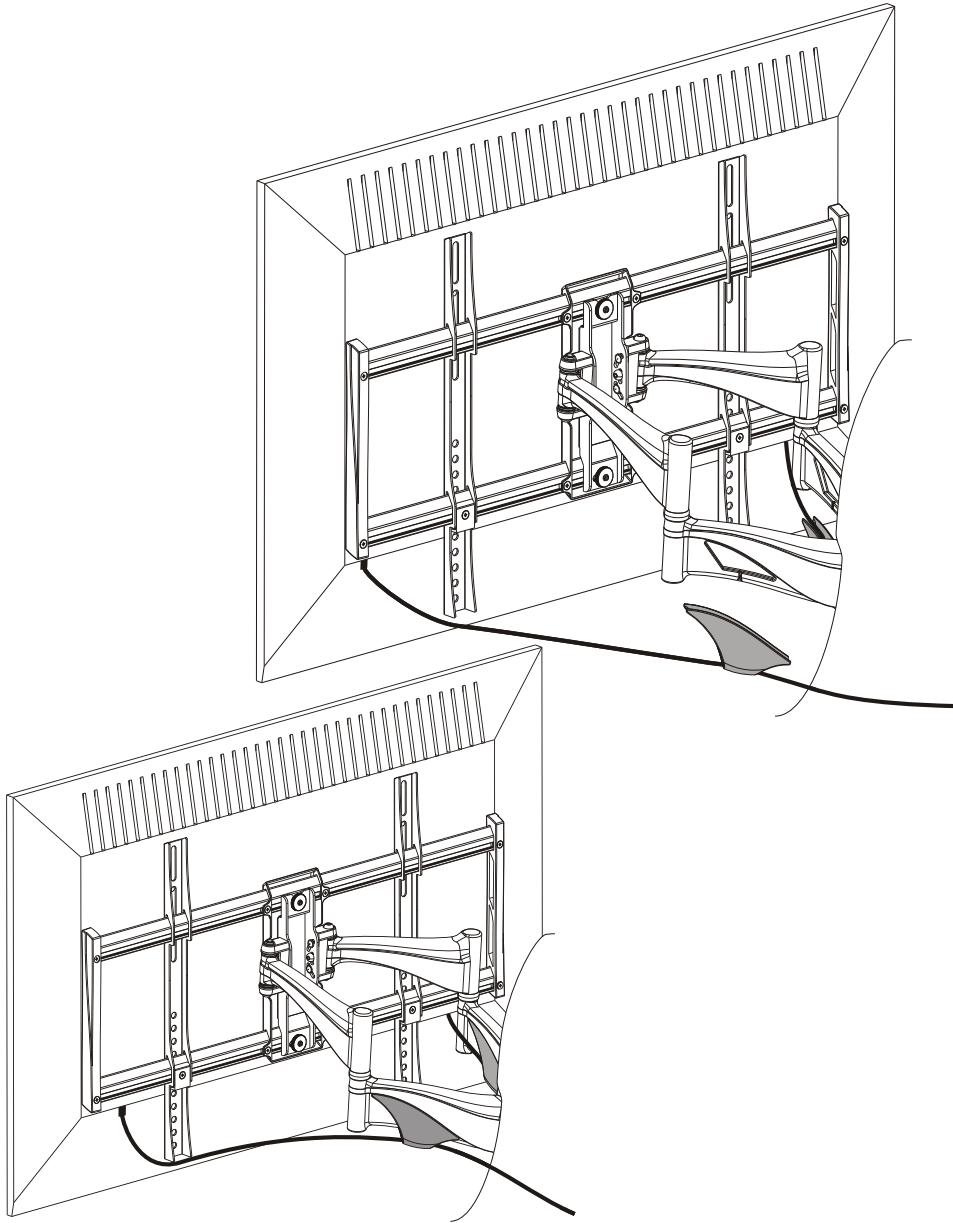
Loosen the upper thumbscrew leaving a 4mm space to the adapter bracket.

Hook the TV onto the wall mount



- Level the TV.
- Place the lower thumbscrew; and tighten both thumbscrews.

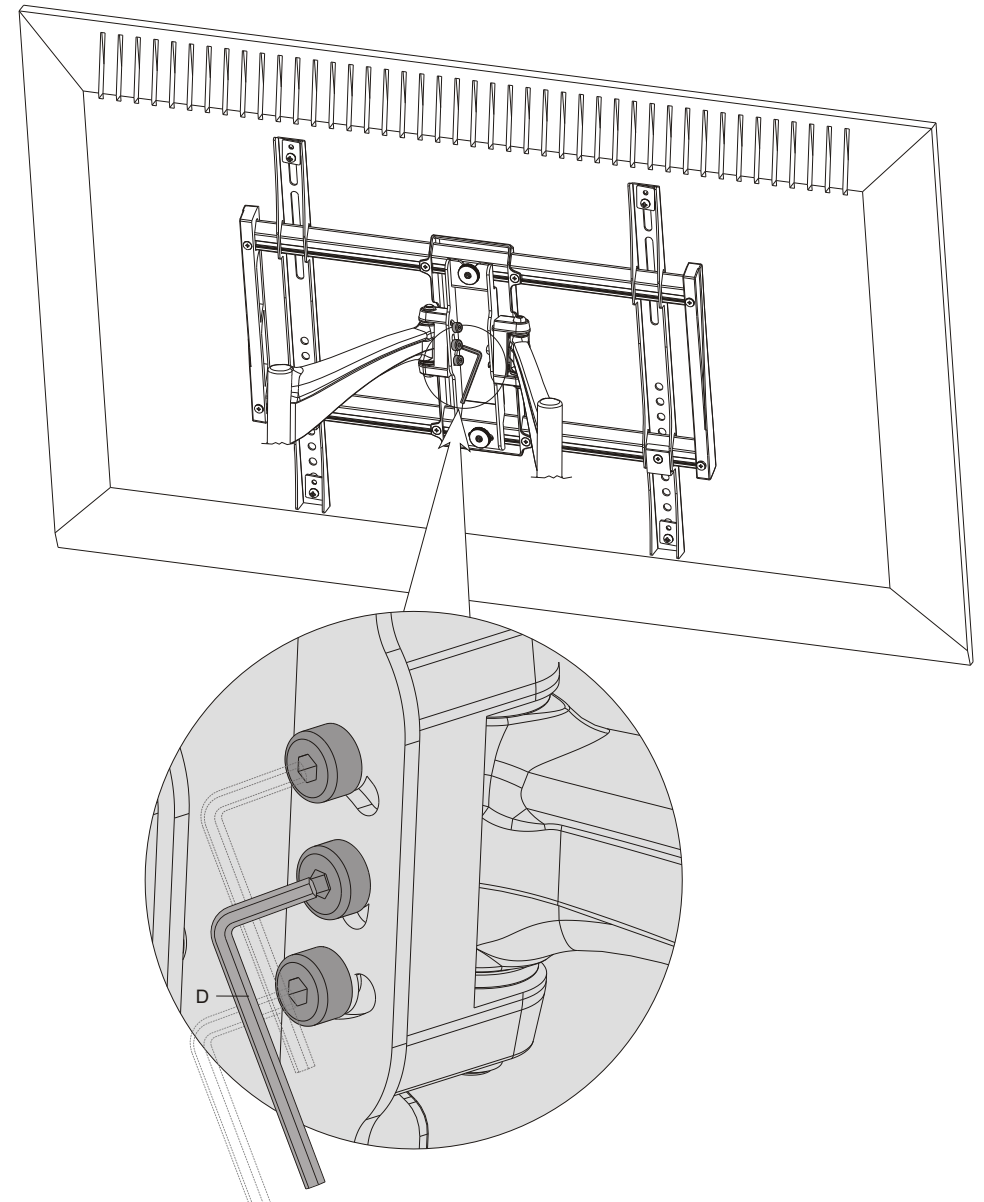
7. Cable Management



- Remove the cable covers as required. Connect the cables to your TV and route along the arms.
- Re-attach the cable covers to hold the cables in place.

Note: Leave slack in the cables for the cantilever arm movement.

8. Adjustment



Depending on the weight of the display, it is necessary to slightly loosen or tighten the adjustment screws using an Allen key.